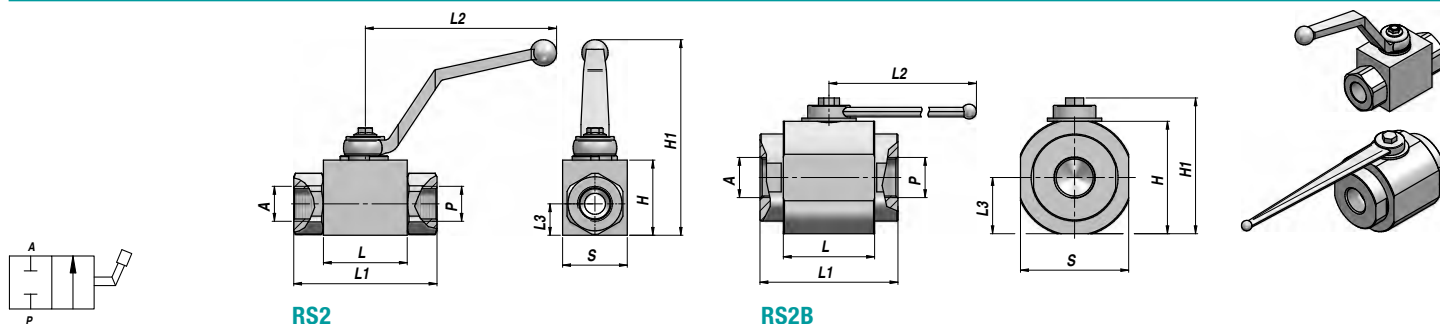


VALVOLA A SFERA A 2 VIE
2-WAY BALL VALVE
2-WEGE KUGELHAHN

RS 2



RS2

RS2B

| Codice Code Bestell-Nr. | A - P BSP | Schema Schema Schema | Q MAX l/min | P MAX bar | Tipo Type Typ | L | L1 | L2 | L3 | H | H1 | S | kg |
|-------------------------|-----------|----------------------|-------------|-----------|---------------|------|-----|-----|------|-----|-------|-----|------|
| DRS2040000 | 1/4" | -- | 25 | 500 | RS 2 DN 6 | 42,4 | 71 | 110 | 14,5 | 35 | 91,5 | 30 | 0,50 |
| DRS2060000 | 3/8" | -- | 35 | 500 | RS 2 DN10 | 44,4 | 73 | 110 | 17,4 | 40 | 96,5 | 35 | 0,65 |
| DRS2080000 | 1/2" | -- | 60 | 500 | RS 2 DN13 | 48,4 | 83 | 110 | 18 | 43 | 99,5 | 37 | 0,77 |
| DRS2120000 | 3/4" | -- | 100 | 400 | RS 2 DN20 | 62,5 | 95 | 180 | 23,4 | 55 | 106,5 | 45 | 1,46 |
| DRS2160000 | 1" | -- | 160 | 350 | RS 2 DN25 | 66,5 | 112 | 180 | 29,5 | 65 | 116,5 | 55 | 2,23 |
| DRS2200000 | 1"1/4-R | -- | 160 | 350 | RS 2 DN25 | 66,5 | 120 | 180 | 29,5 | 65 | 116,5 | 55 | 2,30 |
| DRS2240000 | 1"1/2 | -- | -- | 350 | RS 2B DN40 | 85 | 131 | 300 | 53,5 | 107 | 134,5 | 102 | 7,39 |
| DRS2320000 | 2" | -- | -- | 350 | RS 2B DN50 | 98 | 140 | 300 | 57 | 114 | 141,5 | 118 | 9,05 |

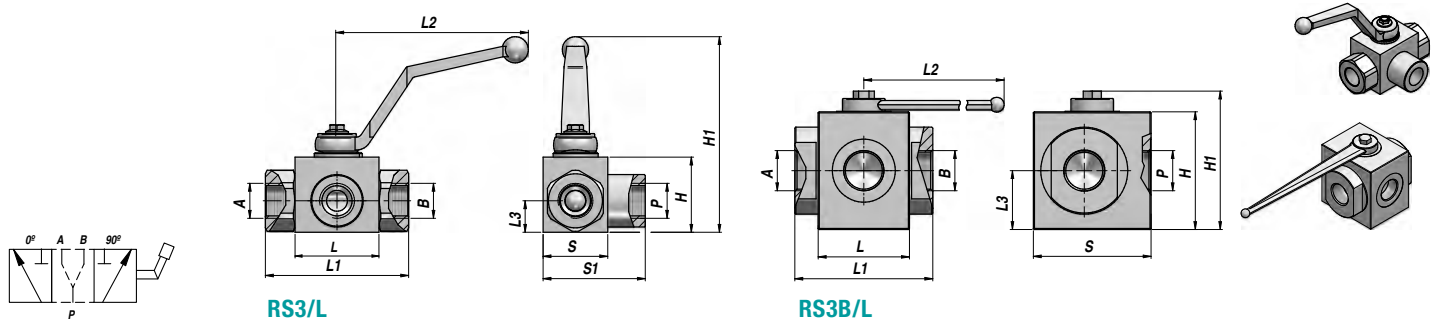
A RICHIESTA - ON REQUEST - AUF ANFRAGE: FORI DI FISSAGGIO - FIXING HOLES - FIXIERUNGSBOHRUNGEN

MONTAGGIO IN LINEA
LINE MOUNTING
REIHENMONTAGE

MATERIALE - MATERIAL: ACCIAIO - STEEL - STAHL
A RICHIESTA - ON REQUEST - AUF ANFRAGE: INOX AISI 316

VALVOLA A SFERA A 3 VIE - CENTRO CHIUSO
3-WAY BALL VALVE - CLOSED CENTRE
3-WEGE KUGELHAHN - GESCHLOSSENE RUHESTELLUNG

RS 3/L



RS3/L

RS3B/L

| Codice Code Bestell-Nr. | P A - B BSP | Schema Schema Schema | Q MAX l/min | P MAX bar | Tipo Type Typ | L | L1 | L2 | L3 | H | H1 | S | S1 | kg |
|-------------------------|-------------|----------------------|-------------|-----------|---------------|------|-----|-----|------|-----|-------|-----|------|-------|
| DRS3040000 | 1/4" | L | 25 | 400 | RS 3/L DN 6 | 42,4 | 71 | 110 | 14,5 | 35 | 91,5 | 30 | 48,5 | 0,54 |
| DRS3060000 | 3/8" | L | 35 | 400 | RS 3/L DN10 | 44,4 | 73 | 110 | 17,4 | 40 | 96,5 | 35 | 54,5 | 0,70 |
| DRS3080000 | 1/2" | L | 60 | 350 | RS 3/L DN13 | 48,4 | 83 | 110 | 18 | 43 | 99,5 | 37 | 58,5 | 0,83 |
| DRS3120000 | 3/4" | L | 100 | 350 | RS 3/L DN20 | 62,5 | 95 | 180 | 23,4 | 55 | 106,5 | 45 | 75 | 1,58 |
| DRS3160000 | 1" | L | 160 | 350 | RS 3/L DN25 | 66,5 | 112 | 180 | 29,5 | 65 | 116,5 | 55 | 87,5 | 2,42 |
| DRS3200000 | 1"1/4-R | L | 160 | 350 | RS 3/L DN25 | 66,5 | 120 | 180 | 29,5 | 65 | 116,5 | 55 | 87,5 | 2,60 |
| DRS3240000 | 1"1/2 | L | -- | 350 | RS 3B/L DN40 | 85 | 131 | 300 | 53,5 | 107 | 134,5 | 115 | - | 8,63 |
| DRS3320000 | 2" | L | -- | 350 | RS 3B/L DN50 | 98 | 140 | 300 | 57 | 114 | 141,5 | 128 | - | 10,61 |

A RICHIESTA - ON REQUEST - AUF ANFRAGE: FORI DI FISSAGGIO - FIXING HOLES - FIXIERUNGSBOHRUNGEN

MONTAGGIO IN LINEA
LINE MOUNTING
REIHENMONTAGE

MATERIALE - MATERIAL: ACCIAIO - STEEL - STAHL
A RICHIESTA - ON REQUEST - AUF ANFRAGE: INOX AISI 316