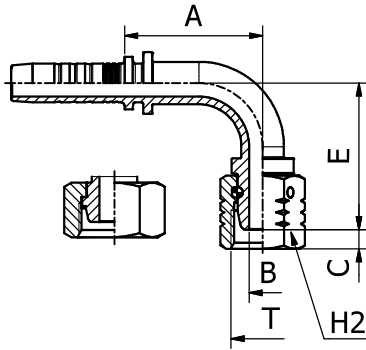


DIN STANDARD CONNECTIONS



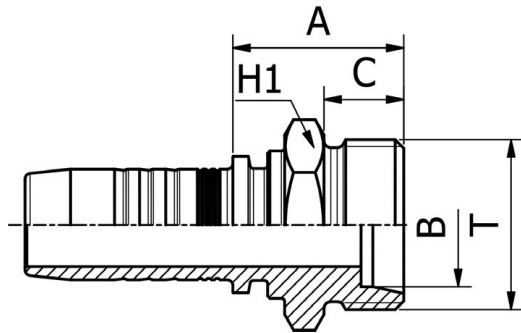
# M21392/M21393

**90° METRIC FEMALE SWEPT ELBOW MULTISEAL**  
DIN 20078/3868

PART. REF.	HOSE BORE			Thread	Pipe	DIMENSIONS mm				
	DN	Dash	inch			T	B	A	C	E
M21392-04-12	6	- 4	1/4"	M 12X1.5	6.0	4.0	28.0	4.0	30.5	17.0
M21392-06-16	10	- 6	3/8"	M 16X1.5	10.0	7.0	35.5	5.0	38.0	19.0
M21392-12-26	19	- 12	3/4"	M 26X1.5	18.0	15.0	61.5	2.3	63.0	32.0
M21393-03-12	5	- 3	3/16"	M 12X1.5	6.0	3.0	26.0	3.2	27.0	14.0
M21393-04-14	6	- 4	1/4"	M 14X1.5	8.0	4.0	29.5	3.0	29.5	17.0
M21393-04-16	6	- 4	1/4"	M 16X1.5	10.0	4.0	29.5	4.0	29.5	19.0
M21393-05-16	8	- 5	5/16"	M 16X1.5	10.0	5.5	32.0	4.0	29.0	19.0
M21393-05-18	8	- 5	5/16"	M 18X1.5	12.0	7.0	32.0	4.0	30.5	22.0
M21393-06-18	10	- 6	3/8"	M 18X1.5	12.0	7.0	36.5	4.0	31.5	22.0
M21393-06-22	10	- 6	3/8"	M 22X1.5	15.0	7.0	36.5	4.7	32.0	27.0
M21393-08-22	12	- 8	1/2"	M 22X1.5	15.0	9.3	45.0	4.7	36.5	27.0
M21393-10-26	16	- 10	5/8"	M 26X1.5	18.0	12.5	51.5	5.0	50.0	32.0

157 FITTINGS

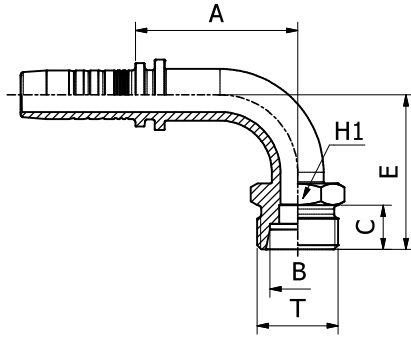
DIN STANDARD CONNECTIONS



# M11110

**METRIC MALE 24° CONE SEAT LIGHT DUTY**  
DIN 20066 / ISO 12151-2

PART. REF.	HOSE BORE			Thread	Pipe	DIMENSIONS mm			
	DN	Dash	inch			T	B	A	C
M11110-03-12	5	- 3	3/16"	M 12X1.5	6.0	3.0	21.0	10.0	14.0
M11110-04-12	6	- 4	1/4"	M 12X1.5	6.0	4.0	21.5	10.0	14.0
M11110-04-14	6	- 4	1/4"	M 14X1.5	8.0	4.0	21.5	10.0	14.0
M11110-04-16	6	- 4	1/4"	M 16X1.5	10.0	7.0	23.5	11.0	17.0
M11110-04-18	6	- 4	1/4"	M 18X1.5	12.0	9.0	23.5	11.0	19.0
M11110-05-16	8	- 5	5/16"	M 16X1.5	10.0	7.0	24.0	11.0	17.0
M11110-05-18	8	- 5	5/16"	M 18X1.5	12.0	9.0	24.0	11.0	19.0
M11110-06-16	10	- 6	3/8"	M 16X1.5	10.0	7.0	24.0	11.0	17.0
M11110-06-18	10	- 6	3/8"	M 18X1.5	12.0	9.0	24.5	11.0	19.0
M11110-06-22	10	- 6	3/8"	M 22X1.5	15.0	10.0	25.5	12.0	22.0
M11110-06-26	10	- 6	3/8"	M 26X1.5	18.0	12.5	26.5	12.0	27.0
M11110-08-16	12	- 8	1/2"	M 16X1.5	10.0	7.0	24.5	11.0	22.0
M11110-08-18	12	- 8	1/2"	M 18X1.5	12.0	9.3	24.5	11.0	22.0
M11110-08-22	12	- 8	1/2"	M 22X1.5	15.0	10.0	25.5	12.0	22.0
M11110-08-26	12	- 8	1/2"	M 26X1.5	18.0	12.5	26.5	12.0	27.0
M11110-10-22	16	- 10	5/8"	M 22X1.5	15.0	10.0	25.5	12.0	22.0
M11110-10-26	16	- 10	5/8"	M 26X1.5	18.0	12.5	26.5	12.0	27.0
M11110-10-30	16	- 10	5/8"	M 30X2	22.0	15.0	28.5	14.0	30.0
M11110-12-26	19	- 12	3/4"	M 26X1.5	18.0	15.0	28.0	12.0	27.0
M11110-12-30	19	- 12	3/4"	M 30X2	22.0	15.0	30.0	14.0	30.0
M11110-12-36	19	- 12	3/4"	M 36X2	28.0	19.8	31.0	14.0	36.0
M11110-16-36	25	- 16	1"	M 36X2	28.0	19.8	32.5	14.0	36.0
M11110-20-45	31	- 20	1.1/4"	M 45X2	35.0	26.0	40.5	16.0	46.0
M11110-24-52	38	- 24	1.1/2"	M 52X2	42.0	32.0	43.0	16.0	55.0



DIN STANDARD CONNECTIONS

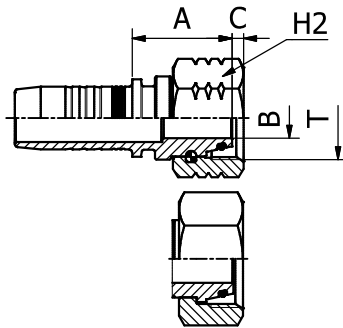
# M11190

**90° METRIC MALE 24° CONE SEAT LIGHT DUTY  
DIN 20066 / ISO 12151-2**

FITTINGS

158

PART. REF.	HOSE BORE			Thread	Pipe	DIMENSIONS mm						
	DN	Dash	inch			T	mm	B	A	C	E	H1
M11190-04-14	6	- 4	1/4"	M 14X1.5	8.0	4.0	27.0	10.0	33.0	14.0		
M11190-06-18	10	- 6	3/8"	M 18X1.5	12.0	9.0	32.0	11.0	35.5	19.0		

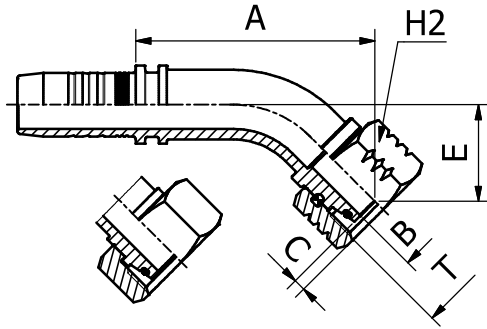


DIN STANDARD CONNECTIONS

# M21512/M21513

**METRIC O-RING FEMALE  
24° CONE LIGHT DUTY  
DIN 20066 / ISO 12151-2**

PART. REF.	HOSE BORE			Thread	Pipe	DIMENSIONS mm						
	DN	Dash	inch			T	mm	B	A	C	H2	
M21512-04-12	6	- 4	1/4"	M 12X1.5	6.0	3.0	21.0	2.2	17.0			
M21512-05-14	8	- 5	5/16"	M 14X1.5	8.0	4.0	20.0	2.9	17.0			
M21512-06-16	10	- 6	3/8"	M 16X1.5	10.0	6.0	23.0	3.0	19.0			
M21512-08-18	12	- 8	1/2"	M 18X1.5	12.0	7.0	29.0	2.9	22.0			
M21512-10-18	16	- 10	5/8"	M 18X1.5	12.0	7.0	29.0	2.9	22.0			
M21512-10-22	16	- 10	5/8"	M 22X1.5	15.0	9.5	26.5	2.4	27.0			
M21512-12-22	19	- 12	3/4"	M 22X1.5	15.0	9.5	31.0	2.4	27.0			
M21512-12-26	19	- 12	3/4"	M 26X1.5	18.0	12.5	31.0	2.3	32.0			
M21512-16-30	25	- 16	1"	M 30X2	22.0	15.0	34.0	4.2	36.0			
M21512-20-36	31	- 20	1.1/4"	M 36X2	28.0	19.8	35.5	5.0	41.0			
M21512-24-45	38	- 24	1.1/2"	M 45X2	35.0	26.0	42.5	5.8	50.0			
M21512-32-52	51	- 32	2"	M 52X2	42.0	32.0	50.5	5.6	60.0			
M21513-03-12	5	- 3	3/16"	M 12X1.5	6.0	3.0	22.0	0.7	14.0			
M21513-03-14	5	- 3	3/16"	M 14X1.5	8.0	4.0	24.5	1.3	17.0			
M21513-04-14	6	- 4	1/4"	M 14X1.5	8.0	4.0	22.0	1.3	17.0			
M21513-04-16	6	- 4	1/4"	M 16X1.5	10.0	6.0	22.5	1.8	19.0			
M21513-04-18	6	- 4	1/4"	M 18X1.5	12.0	7.0	22.0	2.0	22.0			
M21513-05-16	8	- 5	5/16"	M 16X1.5	10.0	6.0	22.5	1.8	19.0			
M21513-05-18	8	- 5	5/16"	M 18X1.5	12.0	7.0	22.0	2.0	22.0			
M21513-06-18	10	- 6	3/8"	M 18X1.5	12.0	7.0	22.5	2.0	22.0			
M21513-06-22	10	- 6	3/8"	M 22X1.5	15.0	9.3	25.0	1.5	27.0			
M21513-08-22	12	- 8	1/2"	M 22X1.5	15.0	9.3	25.5	1.5	27.0			
M21513-08-26	12	- 8	1/2"	M 26X1.5	18.0	12.5	26.0	2.0	32.0			
M21513-10-26	16	- 10	5/8"	M 26X1.5	18.0	12.5	26.0	2.0	32.0			
M21513-10-30	16	- 10	5/8"	M 30X2	22.0	15.0	34.0	3.0	36.0			
M21513-10-36	16	- 10	5/8"	M 36X2	28.0	20.0	30.5	3.7	41.0			
M21513-12-30	19	- 12	3/4"	M 30X2	22.0	15.0	28.0	3.0	36.0			
M21513-12-36	19	- 12	3/4"	M 36X2	28.0	20.0	28.5	3.7	41.0			
M21513-16-36	25	- 16	1"	M 36X2	28.0	19.8	29.5	3.7	41.0			
M21513-16-45	25	- 16	1"	M 45X2	35.0	26.0	39.0	4.0	50.0			
M21513-20-45	31	- 20	1.1/4"	M 45X2	35.0	26.0	33.0	4.0	50.0			
M21513-20-52	31	- 20	1.1/4"	M 52X2	42.0	32.0	32.5	4.5	60.0			
M21513-24-52	38	- 24	1.1/2"	M 52X2	42.0	32.0	33.0	4.5	60.0			



# M21542/M21543

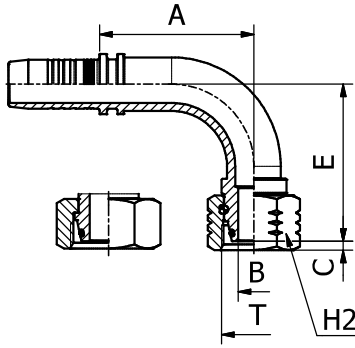
**45° METRIC O-RING FEMALE SWEEP ELBOW  
24° CONE LIGHT DUTY  
DIN 20066 / ISO 12151-2**

PART. REF.	HOSE BORE			Thread	Pipe	DIMENSIONS mm				
	DN	Dash	inch			T	B	A	C	E
M21542-04-12	6	- 4	1/4"	M 12X1.5	6.0	3.0	39.0	2.2	18.0	17.0
M21542-06-16	10	- 6	3/8"	M 16X1.5	10.0	6.0	47.5	3.0	21.5	19.0
M21542-08-18	12	- 8	1/2"	M 18X1.5	12.0	7.0	56.5	2.9	25.0	22.0
M21542-10-22	16	- 10	5/8"	M 22X1.5	15.0	9.3	65.5	3.0	29.0	27.0
M21542-12-26	19	- 12	3/4"	M 26X1.5	18.0	12.5	73.0	2.3	31.0	32.0
M21542-20-36	31	- 20	1.1/4"	M 36X2	28.0	19.8	107.5	5.0	44.0	41.0
M21542-24-36	38	- 24	1.1/2"	M 36X2	28.0	19.8	113.0	5.0	34.5	41.0
M21543-03-12	5	- 3	3/16"	M 12X1.5	6.0	3.0	35.0	0.7	16.0	14.0
M21543-04-14	6	- 4	1/4"	M 14X1.5	8.0	4.0	38.0	1.3	16.5	17.0
M21543-04-16	6	- 4	1/4"	M 16X1.5	10.0	6.0	38.0	1.8	17.0	19.0
M21543-04-18	6	- 4	1/4"	M 18X1.5	12.0	7.0	38.5	2.0	17.5	22.0
M21543-05-16	8	- 5	5/16"	M 16X1.5	10.0	6.0	41.5	1.8	17.5	19.0
M21543-05-18	8	- 5	5/16"	M 18X1.5	12.0	7.0	41.5	2.0	17.0	22.0
M21543-06-18	10	- 6	3/8"	M 18X1.5	12.0	7.0	43.5	2.0	16.5	22.0
M21543-06-22	10	- 6	3/8"	M 22X1.5	15.0	9.3	45.0	1.5	18.0	27.0
M21543-08-22	12	- 8	1/2"	M 22X1.5	15.0	9.3	52.0	1.5	19.0	27.0
M21543-08-26	12	- 8	1/2"	M 26X1.5	18.0	12.5	52.5	2.0	19.5	32.0
M21543-10-26	16	- 10	5/8"	M 26X1.5	18.0	12.5	62.0	2.0	26.5	32.0
M21543-12-30	19	- 12	3/4"	M 30X2	22.0	15.0	71.0	3.0	28.5	36.0
M21543-12-36	19	- 12	3/4"	M 36X2	28.0	19.8	72.0	3.7	30.0	41.0
M21543-16-36	25	- 16	1"	M 36X2	28.0	19.8	85.0	3.7	32.0	41.0
M21543-20-45	31	- 20	1.1/4"	M 45X2	35.0	26.0	100.0	4.0	36.0	50.0
M21543-20-52	31	- 20	1.1/4"	M 52X2	42.0	32.0	100.0	4.5	42.0	60.0
M21543-24-52	38	- 24	1.1/2"	M 52X2	42.0	32.0	117.0	4.5	44.5	60.0

DIN STANDARD CONNECTIONS

# M21592/M21593

**90° METRIC O-RING FEMALE SWEPT ELBOW  
24° CONE LIGHT DUTY  
DIN 20066 / ISO 12151-2**



FITTINGS 160

PART. REF.	HOSE BORE			Thread	Pipe	DIMENSIONS mm						
	DN	Dash	inch	T	mm	B	A	C	E	H2		
M21592-04-12	6	- 4	1/4"	M 12X1.5	6.0	3.0	28.5	2.2	32.5	17.0		
M21592-05-14	8	- 5	5/16"	M 14X1.5	8.0	4.0	31.0	2.9	33.0	17.0		
M21592-06-16	10	- 6	3/8"	M 16X1.5	10.0	6.0	35.5	3.0	40.0	19.0		
M21592-08-18	12	- 8	1/2"	M 18X1.5	12.0	7.0	44.0	2.9	48.0	22.0		
M21592-10-22	16	- 10	5/8"	M 22X1.5	15.0	9.3	53.5	3.0	57.5	27.0		
M21592-12-26	19	- 12	3/4"	M 26X1.5	18.0	12.5	61.5	2.3	63.0	32.0		
M21592-16-30	25	- 16	1"	M 30X2	22.0	15.0	79.5	4.2	80.5	36.0		
M21592-20-36	31	- 20	1.1/4"	M 36X2	28.0	19.8	93.5	5.0	92.0	41.0		
M21592-24-36	38	- 24	1.1/2"	M 36X2	28.0	19.8	97.0	5.0	68.0	41.0		
M21592-32-52	51	- 32	2"	M 52X2	42.0	32.0	131.0	5.6	119.0	60.0		
M21593-03-12	5	- 3	3/16"	M 12X1.5	6.0	3.0	26.0	0.7	30.0	14.0		
M21593-03-14	5	- 3	3/16"	M 14X1.5	8.0	4.0	29.0	1.3	31.5	17.0		
M21593-04-14	6	- 4	1/4"	M 14X1.5	8.0	4.0	29.5	1.3	31.5	17.0		
M21593-04-16	6	- 4	1/4"	M 16X1.5	10.0	6.0	29.5	1.8	32.0	19.0		
M21593-04-18	6	- 4	1/4"	M 18X1.5	12.0	7.0	29.5	2.0	33.0	22.0		
M21593-05-16	8	- 5	5/16"	M 16X1.5	10.0	6.0	32.0	1.8	32.5	19.0		
M21593-05-18	8	- 5	5/16"	M 18X1.5	12.0	7.0	32.0	2.0	32.5	22.0		
M21593-05-22	8	- 5	5/16"	M 22X1.5	15.0	9.3	36.0	1.5	35.0	27.0		
M21593-06-18	10	- 6	3/8"	M 18X1.5	12.0	7.0	36.5	2.0	33.5	22.0		
M21593-06-22	10	- 6	3/8"	M 22X1.5	15.0	9.3	36.5	1.5	35.0	27.0		
M21593-08-22	12	- 8	1/2"	M 22X1.5	15.0	9.3	45.0	1.5	39.5	27.0		
M21593-08-26	12	- 8	1/2"	M 26X1.5	18.0	12.5	45.0	2.0	40.0	32.0		
M21593-10-26	16	- 10	5/8"	M 26X1.5	18.0	12.5	51.5	2.0	53.0	32.0		
M21593-10-30	16	- 10	5/8"	M 30X2	22.0	15.0	51.5	3.0	54.0	36.0		
M21593-12-30	19	- 12	3/4"	M 30X2	22.0	15.0	61.5	3.0	59.5	36.0		
M21593-12-36	19	- 12	3/4"	M 36X2	28.0	19.8	61.5	3.7	61.0	41.0		
M21593-16-36	25	- 16	1"	M 36X2	28.0	19.8	76.5	3.7	69.5	41.0		
M21593-16-45	25	- 16	1"	M 45X2	35.0	26.0	79.0	4.0	72.0	50.0		
M21593-20-45	31	- 20	1.1/4"	M 45X2	35.0	26.0	93.5	4.0	81.0	50.0		
M21593-24-52	38	- 24	1.1/2"	M 52X2	42.0	32.0	107.5	4.5	98.0	60.0		