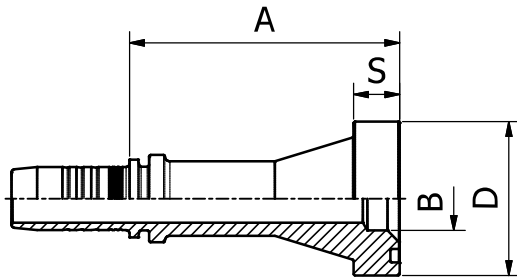


ORIGINAL EQUIPMENT CONNECTIONS



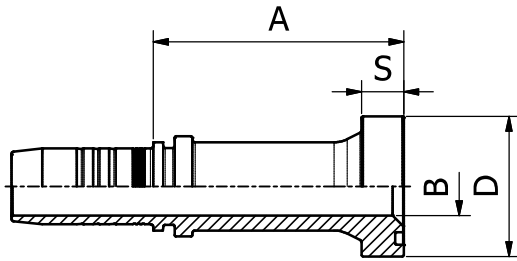
# M23911

## STRAIGHT SUPERCAT FLANGE

FITTINGS 170

PART. REF.	HOSE BORE			FLANGE		DIMENSIONS mm						
	DN	Dash	inch	inch		B	A	D	S			
M23911-12-12	19	-12	3/4"	3/4"		15.0	74.5	41.5	14.3			
M23911-12-16	19	-12	3/4"	1"		19.8	83.5	47.7	14.3			
M23911-16-16	25	-16	1"	1"		19.8	87.0	47.7	14.3			
M23911-16-20	25	-16	1"	1.1/4"		26.0	92.5	54.0	14.3			
M23911-20-20	31	-20	1.1/4"	1.1/4"		26.0	86.0	54.0	14.3			
M23911-24-24	38	-24	1.1/2"	1.1/2"		32.0	94.0	63.6	14.3			

ORIGINAL EQUIPMENT CONNECTIONS



# M23911CT

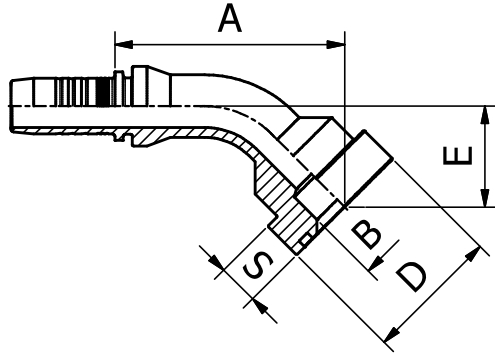
## STRAIGHT REALCAT FLANGE

PART. REF.	HOSE BORE			FLANGE		DIMENSIONS mm						
	DN	Dash	inch	inch		B	A	D	S			
M23911-16-16CT	25	-16	1"	1"		19.8	85.0	47.7	14.3			
M23911-20-20CT	31	-20	1.1/4"	1.1/4"		26.0	88.5	54.0	14.3			
M23911-24-24CT	38	-24	1.1/2"	1.1/2"		32.0	93.0	63.6	14.3			

ORIGINAL EQUIPMENT CONNECTIONS

# M23941

45° SUPERCAT FLANGE



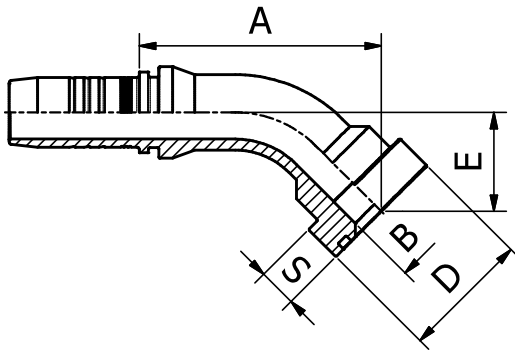
PART. REF.	HOSE BORE			FLANGE	DIMENSIONS mm						
	DN	Dash	inch	inch	B	A	D	E	S		
M23941-12-12	19	-12	3/4"	3/4"	15.0	77.0	41.5	32.0	14.3		
M23941-16-16	25	-16	1"	1"	19.8	89.5	47.7	36.5	14.3		
M23941-16-20	25	-16	1"	1"	26.0	92.5	54.0	40.5	14.3		
M23941-20-20	31	-20	1.1/4"	1.1/4"	26.0	99.0	54.0	41.5	14.3		
M23941-24-24	38	-24	1.1/2"	1.1/2"	32.0	119.0	63.6	45.5	14.3		

171 FITTINGS

ORIGINAL EQUIPMENT CONNECTIONS

# M23941CT

45° REALCAT FLANGE

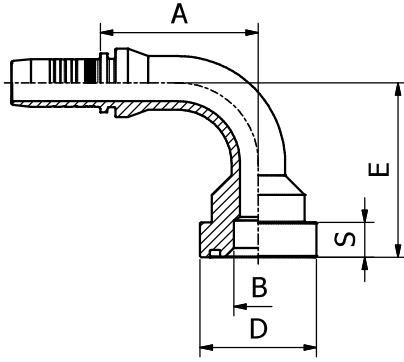


PART. REF.	HOSE BORE			FLANGE	DIMENSIONS mm						
	DN	Dash	inch	inch	B	A	D	E	S		
M23941-16-16CT	25	-16	1"	1"	19.8	89.5	47.7	36.5	14.3		
M23941-16-20CT	25	-16	1"	1.1/4"	26.0	93.0	54.0	40.5	14.3		
M23941-20-20CT	31	-20	1.1/4"	1.1/4"	26.0	99.0	54.0	41.5	14.3		
M23941-24-24CT	38	-24	1.1/2"	1.1/2"	32.0	119.0	63.7	45.0	14.3		

ORIGINAL EQUIPMENT CONNECTIONS

# M23991

90° SUPERCAT FLANGE



PART. REF.	HOSE BORE			FLANGE	DIMENSIONS mm						
	DN	Dash	inch	inch	B	A	D	E	S		
M23991-12-12	19	-12	3/4"	3/4"	15.0	64.5	41.5	64.5	14.3		
M23991-16-16	25	-16	1"	1"	19.8	77.5	47.7	76.5	14.3		
M23991-16-20	25	-16	1"	1.1/4"	26.0	75.5	54.0	80.5	14.3		
M23991-20-20	31	-20	1.1/4"	1.1/4"	26.0	85.5	54.0	87.0	14.3		
M23991-20-24	31	-20	1.1/4"	1.1/2"	32.0	85.5	63.7	93.0	14.3		

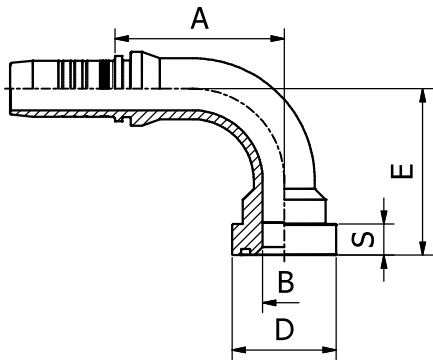
FITTINGS

172

ORIGINAL EQUIPMENT CONNECTIONS

# M23991CT

90° REALCAT FLANGE



PART. REF.	HOSE BORE			FLANGE	DIMENSIONS mm						
	DN	Dash	inch	inch	B	A	D	E	S		
M23991-16-16CT	25	-16	1"	1"	19.8	77.5	47.7	76.5	14.3		
M23991-16-20CT	25	-16	1"	1.1/4"	26.0	75.5	54.0	80.5	14.3		
M23991-20-20CT	31	-20	1.1/4"	1.1/4"	26.0	85.5	54.0	87.0	14.3		
M23991-24-24CT	38	-24	1.1/2"	1.1/2"	32.0	106.0	63.7	96.0	14.3		