

TECHNICAL DATA SERIES 85

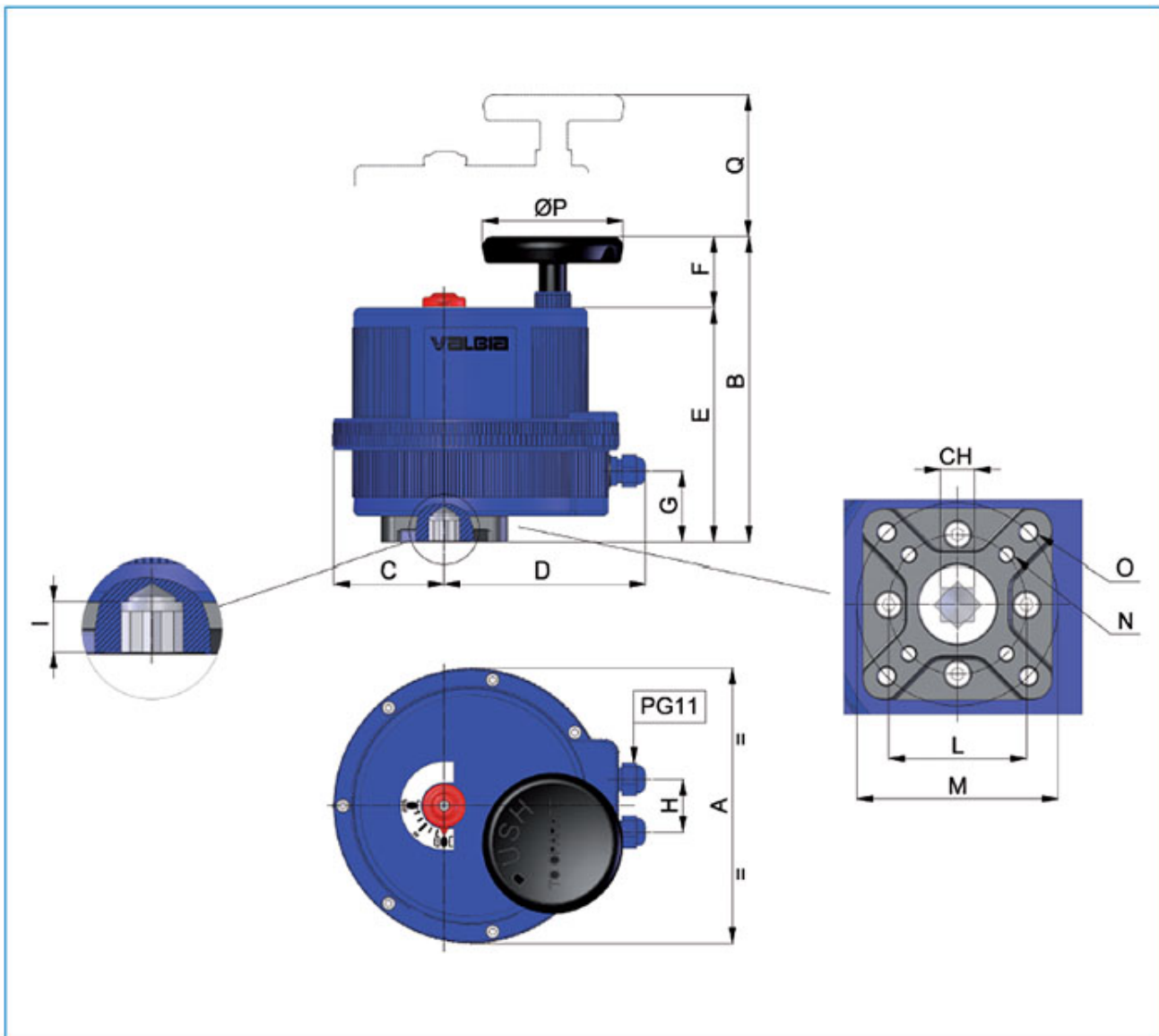
MODEL		VB015	
MAX WORKING TORQUE (Nm)		15	
NOMINAL TENSION (V)	LOW VOLTAGE	12V AC/DC	
		24V AC/DC	
	MULTIVOLTAGE	100-240V AC	
WORKING TIME (sec)		10	
TORQUE LIMITER		STD	
DUTY RATING		12V AC/24V AC	50%
		12V DC/24V DC	75%
		100-240V AC	
PROTECTION		IP65	
ENCLOSURE		TECHNOPOLYMER	
ROTATION		90°	
UPON REQUEST ROTATION		180°	
MANUAL OVERRIDE		STD	
POSITION INDICATOR		STD	
WORKING TEMPERATURE		-20°C + 55°C	
HEATER		STD	
ADDITIONAL FREE LIMIT SWITCHES		n°2 STD (type SPDT)	
DRILLING ISO 5211		*F03 - F05	
SQUARE (mm)		11	
SQUARE UPON REQUEST (mm)		9	
FAIL-SAFE OPERATION (BATTERY BACKUP)		NOT AVAILABLE	
STD (4~20mA or 0~10 VDC)		NOT AVAILABLE	
REVERSE (20~4mA or 10~0 VDC) MODE POSITIONER		NOT AVAILABLE	
MIDDLE POSITION		NOT AVAILABLE	
ROTARY POTENTIOMETER (5K Î© 1W)		NOT AVAILABLE	
ELECTRICAL CONNECTIONS		PG11	
WEIGHT (Kg)		1,40	

* F04 or F07 upon request

ELECTRIC ACTUATOR CONSUMPTION DATA

MODEL		VB015	
VERSION H	NOMINAL VOLTAGE	100-240V AC	
	ABSORBED CURRENT	0,3-0,19 A	
	ABSORBED POWER	30-46 VA	
VERSION L	NOMINAL VOLTAGE	12V AC/DC	24V AC/DC
	ABSORBED CURRENT	1,2 A	0,6 A
	ABSORBED POWER	15 VA	
	FREQUENCY	50/60 HZ	

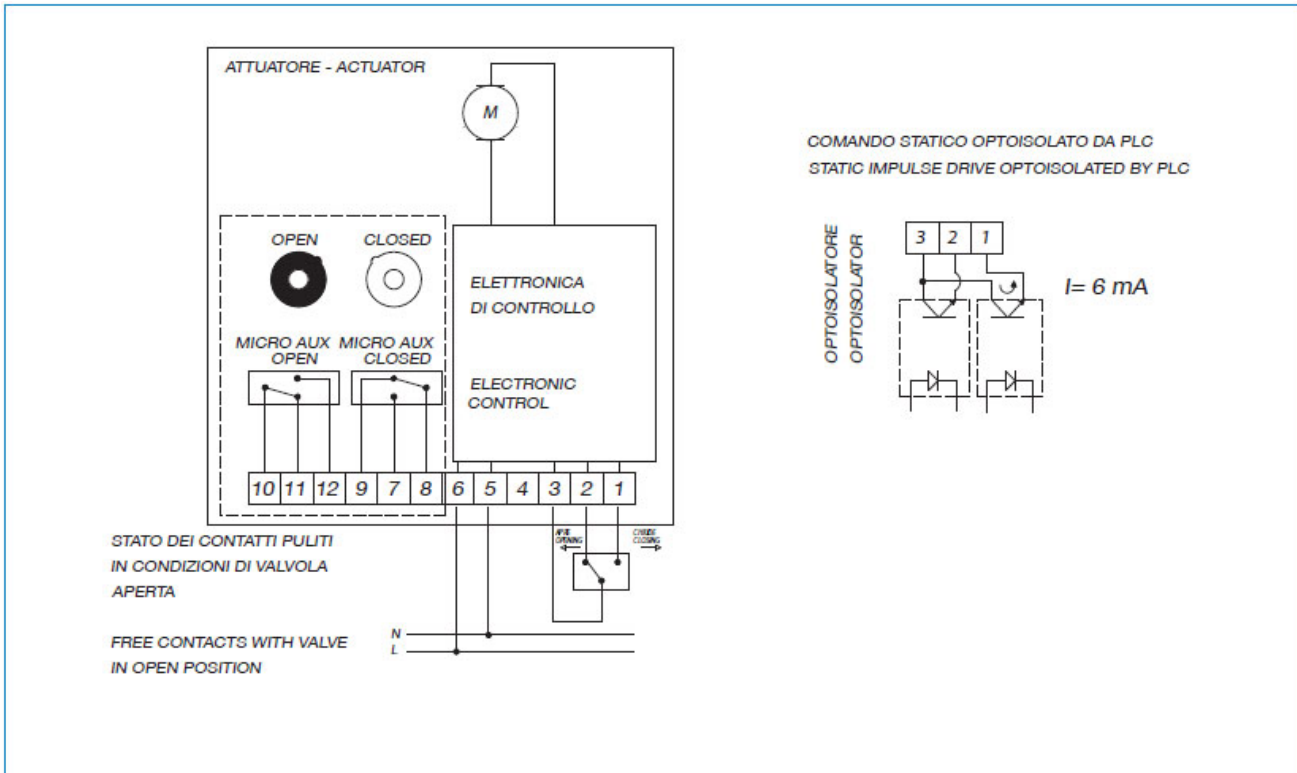
MOD. VB015



MOD.	DRILLING ISO 5211	CH	A	B	C	D	E	F	G	H	I	L	M	N	O	âp.	Q
VB015	F03-F05*	11	123	141,5	42,5	120,5	126	15,5	103	32	14	36	50	M5X12	M6X14	68	65

* Upon request F04 or F07

ELECTRIC WIRING VB015 100-240V 50/60Hz



ELECTRIC WIRING VB015 12V-24V AC/DC 50/60 HZ

