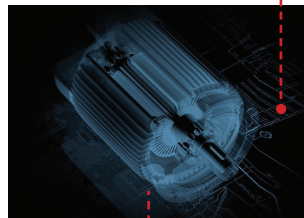


# HDS3 Magnetic Starter

Standard: IEC 60947-4-1



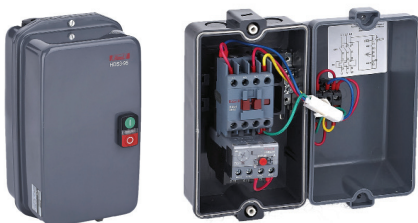
HDS3 Magnetic Starter is mainly used for control AC 50/60 Hz and maximum rated working voltage in up to 660V. Direct start and stop of three-phase squirrel cage induction motor with maximum rated working current is up to 95A under AC-3 using type, and over protection is provided for the motor.



## 38 frame – Plastic housing



## 18/38/95 frame – Metal housing



Rated Insolation Voltage (Ui)	690V
Rated Operating Voltage (Ue)	240V, 380V/400V, 440V, 660V
Rated Control Circuit Voltage (Uc)	36V, 110V, 127V, 220/230, 380/400, 415V, 440V
Coil Frequency	50/60Hz
Operation Type	With Pushbutton
IP Grade	IP54
Certification	CE
Standard	IEC 60947-4-1

- IP54 Protection level ;
- With better contactor
- and better thermal relay ;
- Better performance ;
- More reliable ;
- RoHS2.0, CE

# HDS3 Magnetic Starter

Standard: IEC 60947-4-1



## Coding System

Product Name	Frame Size	Operation Type	Rated Current	Control Voltage	Frequency	Setting Current	Enclosure Material
HDS3	18	B	12	N	7	2P5	M
	↓	↓	↓	↓	↓	↓	↓
	18: 18A 38: 38A 95: 95A	B: with pushbutton	09: 9A ... 93: 80-93A	C: 36V ... X: 440V	7: 50/60Hz	P16: 0.1-0.16A ... 93: 80-93A  Default: Without Relay	Default: Plastic only for 38A enclosure  M: Metallic 95A only has metallic enclosure

Remark: P means decimal point

## Order Information

Motor Power Pe (KW, AC-3, 380V)	Rated Current (A)	Frame size		Setting Current (A)		AC Contactor Type	Thermal Overload Relay Type	Order Reference with Pushbutton			
		HDS3		range	code				HDC3	HDR3s	
0.37	9	HDS3-18 Metallic			0.1~0.16	P16	HDC3-9A	HDR3s-25	HDS318B09*7P16M /HDS338B09*7P16		
					0.16~0.25	P25			"HDS318B09*7P25M /HDS338B09*7P25"		
					0.25~0.4	P4			"HDS318B09*7P4M /HDS338B09*7P4"		
					0.4~0.63	P63			"HDS318B09*7P63M /HDS338B09*7P63"		
					0.63~1	1			"HDS318B09*701M /HDS338B09*701"		
					1~1.6	1P6			"HDS318B09*71P6M /HDS338B09*71P6"		
					1.6~2.5	2P5			"HDS318B09*72P5M /HDS338B09*72P5"		
					2.5~4	4			"HDS318B09*704M /HDS338B09*704"		
					4~6	6			"HDS318B09*706M /HDS338B09*706"		
					6~8	8			"HDS318B09*708M /HDS338B09*708"		
4	12	HDS3-38 Plastic			7~10	10	HDC3-12A	"HDS318B12*710M /HDS338B12*710"			
5.5	18				9~13	13	HDC3-18A	"HDS318B18*713M /HDS338B18*713"			
7.5	25				HDS3-38 Metallic			12~18	18	HDC3-25A	"HDS338B25*718M /HDS338B25*718"
11								17~25	25		"HDS338B25*725M /HDS338B25*725"
15	32							23~32	32	HDC3-32A	"HDS338B32*732M /HDS338B32*732"
18.5	38							30~40	38	HDC3-38A	"HDS338B38*740M /HDS338B38*740"
18.5	40				HDS3-95			30~40	40	HDC3-40A	HDS395B40*740
22	50							37~50	50	HDC3-50A	HDS395B50*750
30	65							48~65	65	HDC3-65A	HDS395B65*765
37	80							63~80	80	HDC3-80A	HDS395B80*780
45	93A	80~93	93	HDC3-95A				HDS395B95*793			

Note: "\*" means coil voltage code.



Motor Control and Protection



# HDS3 Magnetic Starter

Standard: IEC 60947-4-1



AC Coil Voltage (V)	36	110	127	220/230	380/400	415	440
50/60Hz	C7	F7	S7	M7	U7	L7	X7

## Application Field

HDS3 series is mainly used for AC 50/60Hz control system and maximum rated working voltage is up to 660V. Direct start and stop of three-phase squirrel cage induction motor with maximum rated working current is up to 95A under AC-3 using type, and overload protection is provided for the motor.

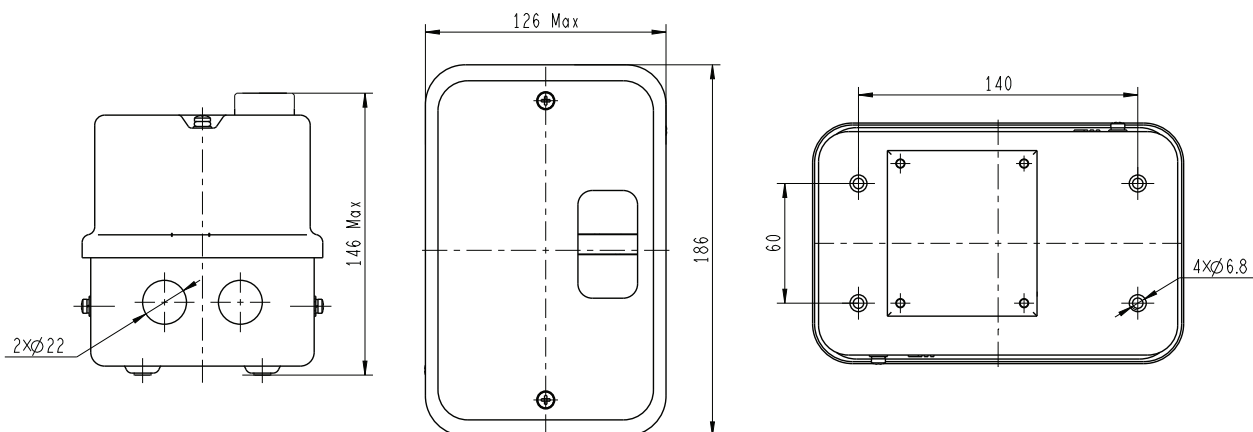
Frame Size	HDS3-18 Metal			HDS3-38 Metal			HDS3-95 Metal				
	HDS3-38 Plastic										
<b>Rated Operating Current (Ie) AC-3</b>	9A	12A	18A	25A	32A	38A	40A	50A	65A	80A	95A
<b>Maximum Motor Power kW ( AC-3,380V )</b>	4	5.5	7.5	11	15	18.5	18.5	22	30	37	45
<b>Horse Power hp ( AC-3,380V)</b>	5.4	7.4	10.1	20.1	24.8	40.2	40.2	44.2	49.6	60.4	60.4
<b>Mechanical Durabilities</b>	<b>10 thousand times</b>	1200			1000			900			650
<b>Electrical Durabilities AC-3</b>	<b>10 thousand times</b>	110				90				65	
<b>Operation Frequency AC-3</b>	<b>time/h</b>	1200				600					
<b>Rated Insulation Voltage (Ui)</b>	690V										
<b>Rated Operating Voltage (Ue)</b>	240V, 380V/400V, 440V, 660V										
<b>Rated Control Circuit Voltage (Uc)</b>	36V, 110V, 127V, 220/230, 380/400, 415V, 440V										
<b>Coil Frequency</b>	50/60Hz										
<b>Operation Type</b>	With Pushbutton										
<b>IP Grade</b>	IP54										
<b>Certification</b>	CE										
<b>Standard</b>	IEC 60947-4-1										
<b>Environmental Requirement</b>	<b>Altitude</b>	2000m									
	<b>Ambient Temperature</b>	-5°C~+40°C									
	<b>Storage Temperature</b>	-25°C~+70°C									
	<b>Installation Position</b>	The inclination to the vertical plane does not exceed ±5°									
	<b>Rated Withstand Voltage</b>	6KV									
	<b>Humidity Requirement</b>	The atmospheric relative humidity does not exceed 50% when the highest ambient temperature is +40°C. It is allowed to have a higher humidity under lower temperature, e.g. up to 90% at +25°C and the dew on the product due to the temperature change should be taken into consideration.									
	<b>Installation Condition</b>	a. In a medium where is no explosion danger, and the medium has no place where can corrode metal and damage insulated gas and conductive dust; b. In a place where has snow-proof equipment and lack of water vapour; c. In a place without significant shock and vibration.									

# HDS3 Magnetic Starter

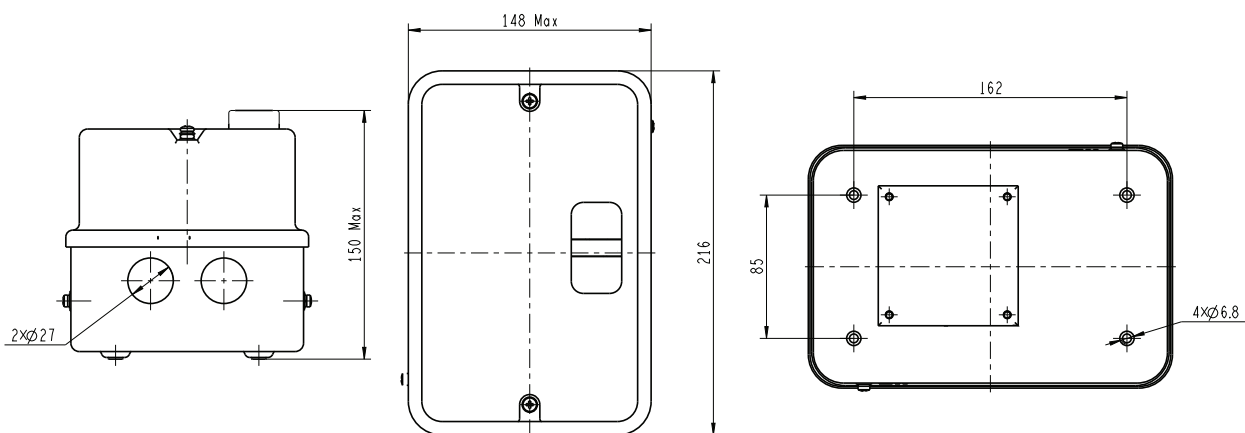
Standard: IEC 60947-4-1



## Overall Dimension of Installation (mm)



HDS3-18 Metal



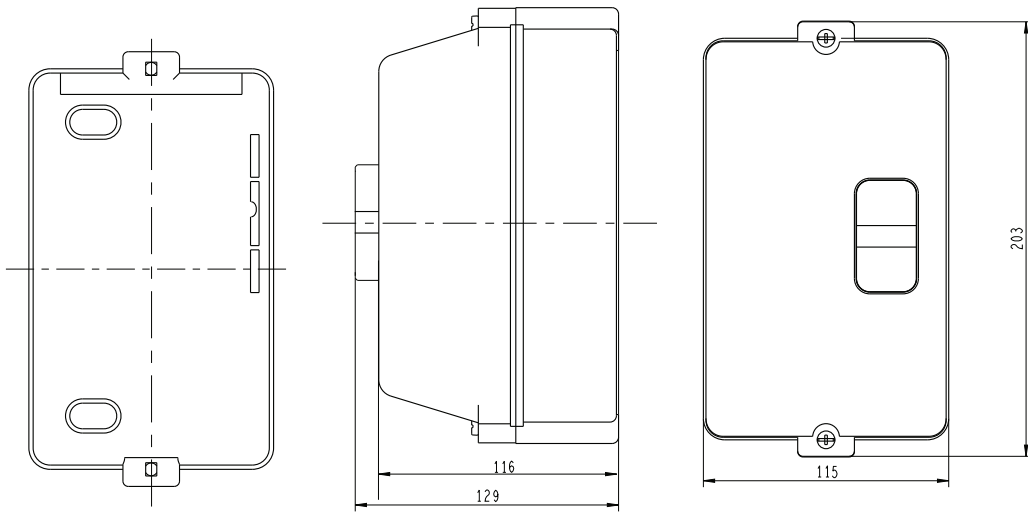
HDS3-38 Metal

# HDS3 Magnetic Starter

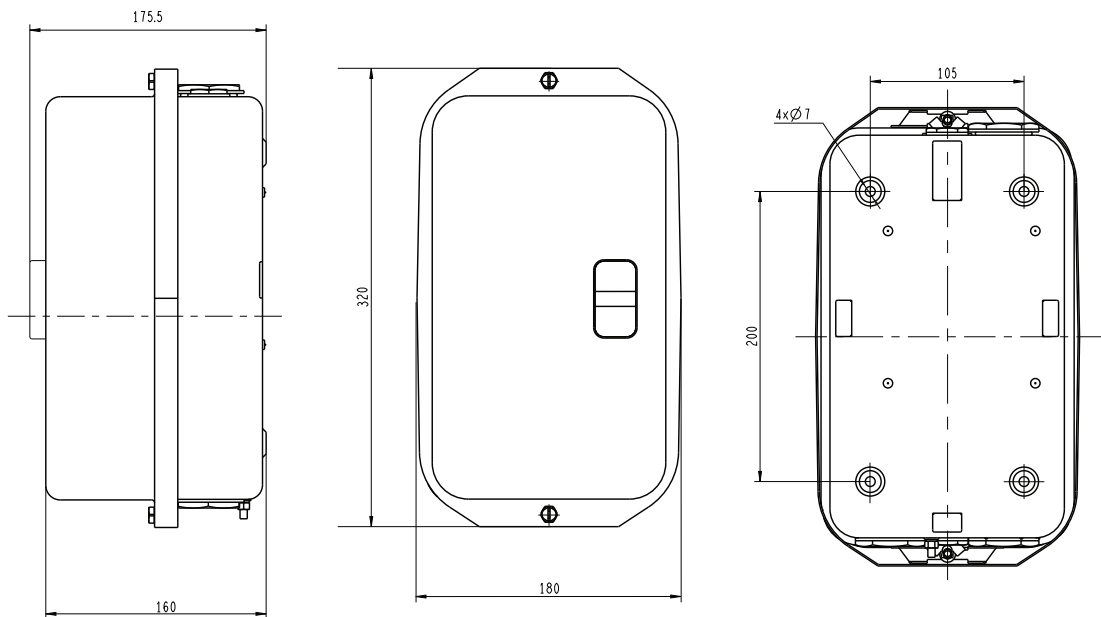
Standard: IEC 60947-4-1



## Overall Dimension of Installation (mm)



HDS3-38 Plastic



HDS3-95

# HDS3 Magnetic Starter

Standard: IEC 60947-4-1



## Wiring Diagram

