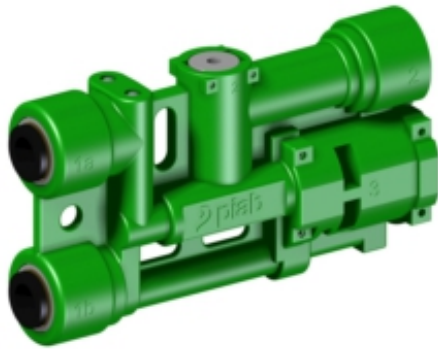


## piINLINE® plus EBR Enhanced Blow-off, STX0785x1



- ▶ Ultra-lightweight decentralized ejector family with integrated release function, suitable for pick and place applications such as press to press transfer in automotive.
- ▶ Ejector with new STX nozzle gives extra fast response and a faster EBR (release) function. Also recommended in very dirty/dusty environments.
- ▶ Compressed air and vacuum ports inline.
- ▶ Easy to install directly on the vacuum hose, close to suction cup.
- ▶ EBR with enhanced blow off - a shunt line for compressed air will amplify and speed up the part release function. Compressed air consumption increases a bit vs standard EBR during blow-off.

Description	Unit	Value
Feed pressure range	Mpa	0.45-0.7
Feed pressure optimum	Mpa	0.5
Temperature range	°C	0-50
Weight	g	53
Material	-	PA, SS, TPE, NBR, HNBR, CuZn, Al
Noise level	dBA	77
Connection, compressed air	-	ø6 push-in connector(s)
Compressed air pilot release	-	ø6 push-in connector(s)
Connection, vacuum	-	ø6 push-in connector(s)
Blow-Off flow	NI/s	1.2

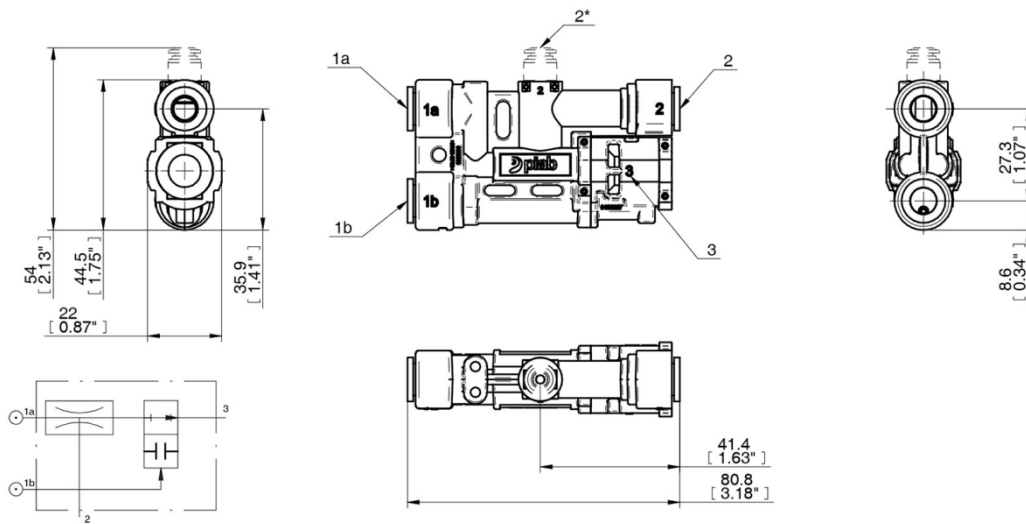
Feed pressure pump / nozzle MPa	Air consumption NI/s	Vacuum flow (NI/s) at different vacuum levels (-kPa)										Max vacuum -kPa
		0	10	20	30	40	50	60	70	80		
0.5	0.51	0.23	0.20	0.18	0.15	0.12	0.10	0.07	0.04	0.01	85	

Feed pressure pump / nozzle MPa	Air consumption NI/s	Evacuation time (s/l) to reach different vacuum levels (-kPa)								Max vacuum -kPa
		10	20	30	40	50	60	70	80	
0.5	0.51	0.46	0.98	1.59	2.31	3.23	4.44	6.26	9.91	85

Values specified in data sheet are tested at:

- Room temperature (20°C [68°F] ± 3°C [5.5°F]).
- Standard atmosphere (101.3 [29.9 inHg] ± 1.0 kPa [0.3 inHg]).
- Relative humidity 0-100%.
- Compressed air quality, DIN ISO 8573-1 class 4.

1a	ø6
1b	ø6
2	ø6



Description	Product code
<p>piiINLINE®plus, EBR Enhanced Blow-off, STX0785 Extra fast release, Single, ø6 push-in connector(s), ø6 push-in connector(s), ø6 push-in connector(s), No, No holder, No holder, No holder,</p>	<p>PIL.I.S8.1.66.6.X.XXX</p>