

Bellows suction cup S.B30-2SF50.G14M.01



- ▶ The lifting movement can be used to separate small and thin objects.
- ▶ Only lightweight objects should be handled when the lifting force is parallel to the surface of the object, in order to achieve good precision and safe lifting movement.
- ▶ Suitable for level adjustment. Several short bellows in one lifting device can handle objects with height differences and varying shapes, for example embossed or corrugated plates.
- ▶ With mesh filter.
- ▶ The silicone material complies with FDA 21 CFR 177.2600 & EU 1935/2004.

Lifting force

Description	Vertical			Parallel		
	6 -inHg	18 -inHg	27 -inHg	6 -inHg	18 -inHg	27 -inHg
Lifting forces	2.7 lbf	4.9 lbf	6.1 lbf	2.1 lbf	3.7 lbf	5.0 lbf

Technical data

Description	Unit	Value
Internal volume	in ³	0.61
Weight	oz	0.62
Min. curve radius -60 kPa	in	0.59
Max. vertical movement	in	0.55
Application	-	Food contact materials (FDA & EU), non-detectable,
Material	-	Silicone (SIL FDA)
Colour	-	Transparent
Suction cup model	-	B
Suction cup shape	-	Bellows
Hardness °Shore A	-	hardness_50
Temperature range (°C)	°F	-40 – 392
Actuated outer diameter, Max	in	1.51

Fitting specification

Description	Value
Fitting size	1/4"
Fitting style	Male
Fitting type	G-Thread
Fitting material	SS, Al, NBR
Fitting option	Filter mesh

Material resistance , Silicone FDA, SIL FDA

Description	Value
Alcohol	Good
Concentrated Acids	Poor

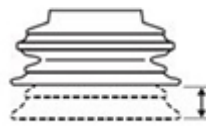
Ethanol	N/A
Hydrolysis	Fair
Methanol	N/A
Oil	Poor
Oxidation	Excellent
Petrol	Poor
Wear Resistance	Good
Weather & Ozone	Excellent

Values specified in data sheet are tested at:

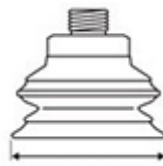
- Room temperature (20°C [68°F] ± 3°C [5.5°F]).
- Standard atmosphere (101.3 [29.9 inHg] ± 1.0 kPa [0.3 inHg]).
- Relative humidity 20-70%.
- Compressed air quality, DIN ISO 8573-1 class 4.



Internal volume



Max. vertical movement

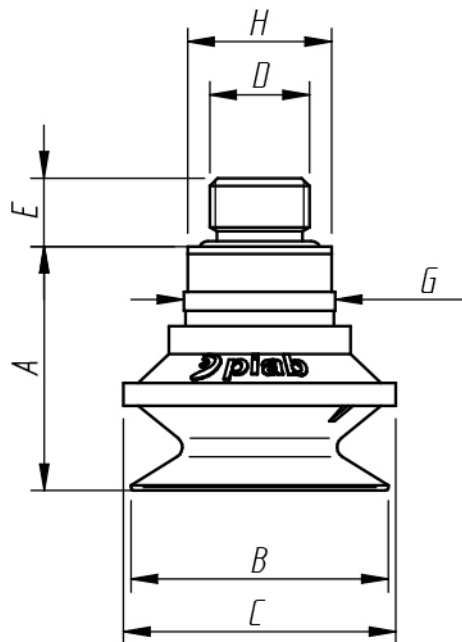


Diameter lip



Min. curve radius -60 kPa

Dimensional drawing



Product code	Description	Unit	Value
A	Building height	mm [inch]	32.2 [1.27"]
B	Diameter lip	mm [inch]	34.0 [1.34"]
C	Diameter (bellow)	mm [inch]	36.0 [1.42"]
D	Thread	-	G1/4"
E	Thread height	mm [inch]	9.0 [0.35"]
G	Diameter (upper part cup)	mm [inch]	20.0 [0.79"]
H	Keygrip	mm	SW 19

Ordering information

Description	Product code
Bellows suction cup , Ø 30mm model 2, Silicone FDA, SIL FDA, 50 °Shore A, G-Thread, 1/4", Male, Filter mesh	S.B30-2SF50.G14M.01

Ordering information, spare parts

Description	Art. No.
Fitting G1/4" male, 30–40, with mesh filter	3250091
Suction cup B30-2 Silicone FCM	0200407
Filter D=34, HDPE, 20 pcs	0201148

Ordering information, accessories

Description	Art. No.
Fitting 1/8" NPSF female, 30–40	3250005
Fitting 1/8" NPSF female, 30–40, with mesh filter	0101153
Fitting 1/8" NPSF female, 30–40, with dual flow control valve	3251006
Fitting 1/8" NPSF female, 30–40, with cone valve	0101156
Fitting 1/8" NPSF female, 30–40, PA	3150197
Fitting G1/4" male, 30–40, with mesh filter and dual flow control valve	3251007
Fitting G3/8" male, 30–40, with mesh filter	3250086
Fitting G3/8" male, 30–40, with mesh and dual flow control valve	3251009
Fitting 5x1/8" NPSF female, 30–40	0100261
Fitting 5x1/8" NPSF female, 30–40, with dual flow control valve	3251011
Fitting 1/4" NPT male, with mesh filter	3250093
Fitting 1/4" NPT male, with dual flow control valve	3251008
Fitting 3/8" NPT male, with mesh filter	3250089
Fitting 3/8" NPT male, with dual flow control valve	3251010
Fitting G1/8" male, 40, with mesh filter	0200714
Suction cup B30-2 Chloroprene	0101103
Suction cup B30-2 Silicone	0101104
Suction cup B30-2 HNBR	0108077