

Bellows suction cup S.B20HN50.G18MMM5F.01



- ▶ The lifting movement can be used to separate small and thin objects.
- ▶ Only lightweight objects should be handled when the lifting force is parallel to the surface of the object, in order to achieve good precision and safe lifting movement.
- ▶ Suitable for level adjustment. Several short bellows in one lifting device can handle objects with height differences and varying shapes, for example embossed or corrugated plates.
- ▶ With mesh filter.

Lifting force

Description	Vertical			Parallel		
	6 -inHg	18 -inHg	27 -inHg	6 -inHg	18 -inHg	27 -inHg
Lifting forces	1.3 lbf	2.2 lbf	3.1 lbf	0.7 lbf	1.2 lbf	1.8 lbf

Technical data

Description	Unit	Value
Internal volume	in ³	0.16
Weight	oz	0.16
Min. curve radius -60 kPa	in	0.39
Max. vertical movement	in	0.39
Application	-	Dry sheet metal, Glass handling, High/low temp cup (plastic), Plastic injection molded parts,
Material	-	Hydrogenated Nitrile (HNBR)
Colour	-	Blue
Suction cup model	-	B
Suction cup shape	-	Bellows
Hardness °Shore A	-	hardness_50
Temperature range (°C)	°F	-22 – 284
Actuated outer diameter, Max	in	1.02

Fitting specification

Description	Value
Fitting size	1/8"
Fitting style	Male with Metric M5 Female
Fitting type	G-Thread
Fitting material	SS, Al
Fitting option	Filter mesh

Material resistance , Hydrogenated Nitrile, HNBR

Description	Value
Alcohol	Good
Concentrated Acids	Fair
Ethanol	N/A

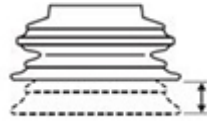
Hydrolysis	Good
Methanol	N/A
Oil	Excellent
Oxidation	Excellent
Petrol	Excellent
Wear Resistance	Excellent
Weather & Ozone	Excellent

Values specified in data sheet are tested at:

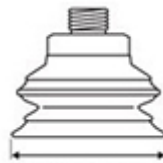
- Room temperature (20°C [68°F] ± 3°C [5.5°F]).
- Standard atmosphere (101.3 [29.9 inHg] ± 1.0 kPa [0.3 inHg]).
- Relative humidity 20-70%.
- Compressed air quality, DIN ISO 8573-1 class 4.



Internal volume



Max. vertical movement

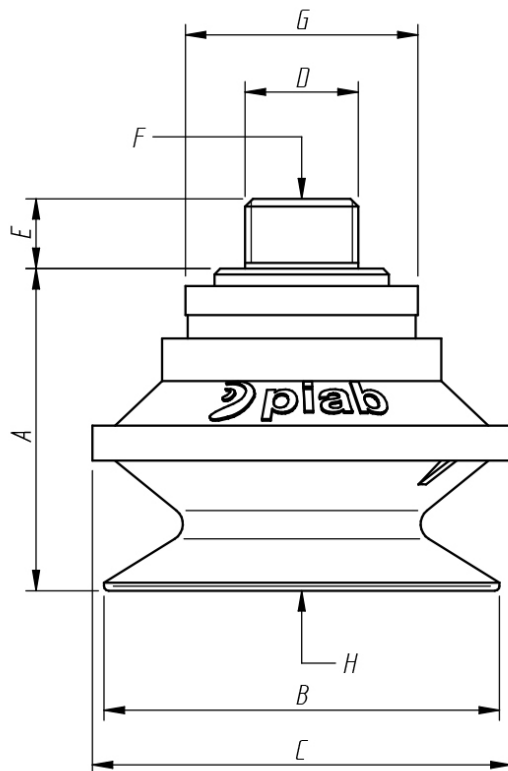


Diameter lip



Min. curve radius -60 kPa

Dimensional drawing



Product code	Description	Unit	Value
A	Building height	mm [inch]	20.5 [0.81"]
B	Diameter lip	mm [inch]	22.0 [0.87"]
C	Diameter (bellow)	mm [inch]	24.0 [0.94"]
D	Thread	-	G1/8"
E	Thread height	mm [inch]	6.0 [0.24"]
F	Thread, 2nd		M5 [M5"]
G	Diameter (upper part cup)	mm [inch]	14.5 [0.57"]
H	Keygrip	mm	N/A

Ordering information

Description	Product code
Bellows suction cup , Ø 20mm, Hydrogenated Nitrile, HNBR, 50 °Shore A, G-Thread, 1/8", Male with Metric M5 Female, Filter mesh	S.B20HN50.G18MMM5F.01

Ordering information, spare parts

Description	Art. No.
Fitting G1/8" male/M5 female, with mesh filter	0101152
Suction cup B20 HNBR	0128712

Ordering information, accessories

Description	Art. No.
Fitting M5 female	3250003
Fitting M5 female, with dual flow control valve	3251001
Fitting G1/8" male, with mesh filter	3250085
Fitting G1/8" male, check valve	3251002
Fitting G1/8" male/M5 female, with dual flow control valve	3251004
Fitting G1/8" male/M5 female, with cone valve	0101155
Fitting G1/8" male/M5 female, PA	3150196
Fitting 5xM5 female	0100260
Fitting 5xM5 female, with dual flow control valve	3251005
Fitting 1/8" NPT male, with dual flow control valve	3251003
Fitting 1/8" NPT male, with mesh filter	3250088
Fitting G1/8" male/M5 female	3250004
Suction cup B20 Chloroprene	0101101
Suction cup B20 Silicone	0101102
Suction cup B20MF Thermoelastic polyurethane	0101111
Suction cup B20 Silicone FCM	0200405