

Bellows suction cup S.B10-2HN50.MM5M.00



- ▶ The lifting movement can be used to separate small and thin objects.
- ▶ Only lightweight objects should be handled when the lifting force is parallel to the surface of the object, in order to achieve good precision and safe lifting movement.
- ▶ Suitable for level adjustment.

Lifting force

Description	Vertical			Parallel		
	6 -inHg	18 -inHg	27 -inHg	6 -inHg	18 -inHg	27 -inHg
Lifting forces	0.3 lbf	0.8 lbf	1.1 lbf	0.4 lbf	0.5 lbf	0.6 lbf

Technical data

Description	Unit	Value
Internal volume	in ³	0.03
Weight	oz	0.11
Min. curve radius -60 kPa	in	0.16
Max. vertical movement	in	0.18
Application	-	Dry sheet metal, Glass handling, High/low temp cup (plastic), Plastic injection molded parts,
Material	-	Hydrogenated Nitrile (HNBR)
Colour	-	Blue
Suction cup model	-	B
Suction cup shape	-	Bellows
Hardness °Shore A	-	hardness_50
Temperature range (°C)	°F	-22 – 284
Actuated outer diameter, Max	in	0.49

Fitting specification

Description	Value
Fitting size	M5
Fitting style	Male
Fitting type	M-Thread
Fitting material	CuZn, PA
Fitting option	None

Material resistance , Hydrogenated Nitrile, HNBR

Description	Value
Alcohol	Good
Concentrated Acids	Fair
Ethanol	N/A

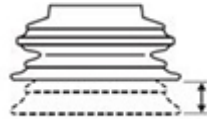
Hydrolysis	Good
Methanol	N/A
Oil	Excellent
Oxidation	Excellent
Petrol	Excellent
Wear Resistance	Excellent
Weather & Ozone	Excellent

Values specified in data sheet are tested at:

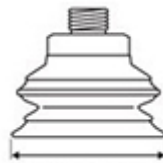
- Room temperature (20°C [68°F] ± 3°C [5.5°F]).
- Standard atmosphere (101.3 [29.9 inHg] ± 1.0 kPa [0.3 inHg]).
- Relative humidity 20-70%.
- Compressed air quality, DIN ISO 8573-1 class 4.



Internal volume



Max. vertical movement

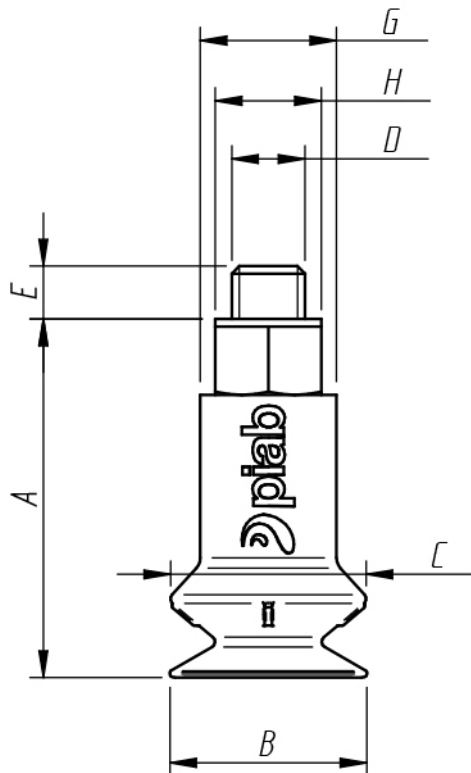


Diameter lip



Min. curve radius -60 kPa

Dimensional drawing



Product code	Description	Unit	Value
A	Building height	mm [inch]	21.4 [0.84"]
B	Diameter lip	mm [inch]	11.0 [0.43"]
C	Diameter (bellow)	mm [inch]	12.0 [0.47"]
D	Thread	-	10-32 UNF (M5)
E	Thread height	mm [inch]	3.5 [0.14"]
G	Diameter (upper part cup)	mm [inch]	9.0 [0.35"]
H	Keygrip	mm	SW 7

Ordering information

Description	Product code
Bellows suction cup , Ø 10mm model 2, Hydrogenated Nitrile, HNBR, 50 °Shore A, M-Thread, M5, Male, None	S.B10-2HN50.MM5M.00

Ordering information, spare parts

Description	Art. No.
Fitting M5 male, 10-15	3107030
Suction cup B10-2 HNBR	0128692

Ordering information, accessories

Description	Art. No.
Fitting G1/8" male	0213734
Suction cup B10-2 Chloroprene	3150101
Suction cup B10-2 Silicone	3150101S
Suction cup B10-2 Silicone FCM	0200241