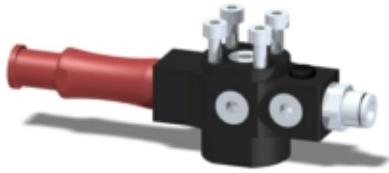


VGS™ 3010 VGS3010.AG.00.BA



- ▶ Patented COAX® technology
- ▶ VGS™ allows easy installation and flexible positioning with several mounting options.
- ▶ VGS™ is compatible with any suction cup with G3/8" male fitting from Piab's assortment. More information about a chosen suction cup or other available suction cups for a specific application can be found at; www.piab.com
- ▶ The three-stage cartridge will give extra high initial
- ▶ vacuum flow, which is suitable in high speed applications.
- ▶ Si cartridge chosen for extra vacuum flow.

Technical data

Description	Unit	Value
Feed pressure, max.	Mpa	0.7
Noise level range	dBA	60-74
Temperature range	°C	10-80
Weight	g	164
Material	-	PP, PA, NBR, AL, SS

Vacuum flow COAX® cartridge MINI Si08-3

Feed pressure*	Air consumption	Vacuum flow (NI/s) at different vacuum levels (-kPa)								Max vacuum
		0	10	20	30	40	50	60	70	
0.60	0.44	1.34	0.73	0.55	0.35	0.23	0.17	0.13	0.08	75

*For vacuum flows at other feed pressures, see COAX® cartridge data sheets. *Feed pressure tolerance, +/- 0.01 MPa

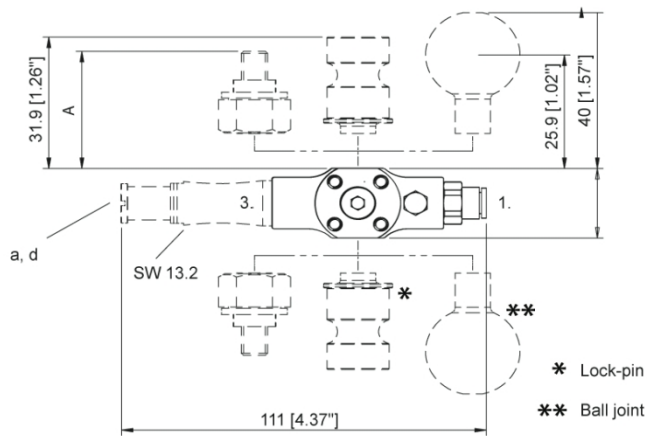
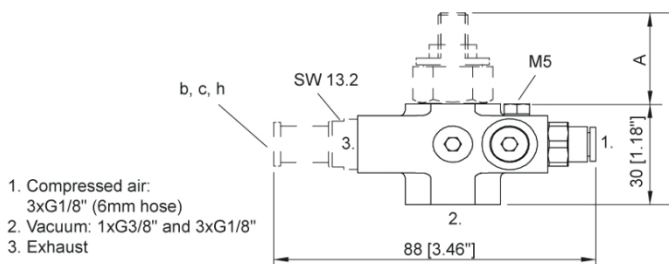
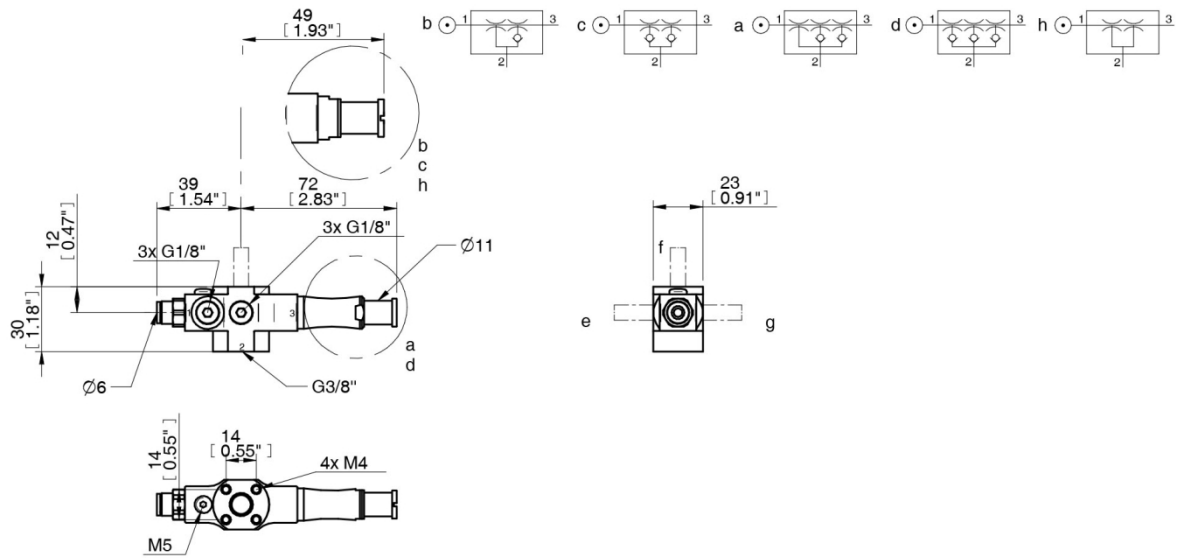
Evacuation time COAX® cartridge MINI Si08-3

Feed pressure*	Air consumption	Evacuation time (s/l) to reach different vacuum levels (-kPa)							Max vacuum
		10	20	30	40	50	60	70	
0.60	0.44	0.10	0.25	0.48	0.80	1.30	2.00	2.90	75

*For evacuation times at other feed pressures, see COAX® cartridge data sheets. *Feed pressure tolerance, +/- 0.01 MPa

Dimensional drawing

a = COAX® cartridge MINI Si08-3



Mounting	A (mm)
M8 / 16	16
M6 / 22	22
M8 / 27	27

Ordering information

Description	Product code
VGS™3010, COAX® cartridge MINI Si08-3, 4x M4 top, flush mount, No suction cup	VGS3010.AG.00.BA