

P6010,



- Patented COAX® technology.
- Available with a three-stage COAX® cartridge MIDI. Choose an Si cartridge for extra vacuum flow, a Pi cartridge for high performance at low feed pressure or an Xi cartridge when high flow and deep vacuum is needed.
- Substantially lower air consumption as compared to conventional ejectors.
- Modular design.
- Available with multiple connection alternatives.
- Low noise level.
- Short evacuation time.
- 1-4 cartridges.

General

Material	PA, SS, TPE, Al, Nitrile (NBR)
Noise level	60 – 67 dBA
Temperature	-10 – 80 °C
Weight	1.7 – 1.8 kg

Performance

Feed pressure, max.	0.7 MPa
---------------------	---------

Vacuum flow

COAX® Cartridge	Feed pressure MPa	Air consumption NI/s	Vacuum flow (NI/s) at different vacuum levels (-kPa)											Max vacuum -kPa
			0	10	20	30	40	50	60	70	80	90		
Pi48-3	0.31	2	5.6	2.5	1.8	1.1	0.65	0.5	0.35	0.25	0.1	—	—	90
Si32-3	0.6	1.75	6	3.5	2.6	1.7	0.9	0.6	0.5	0.35	—	—	75	
Si32-3 (×1 flap valve)	0.6	1.75	6	3.5	2.6	1.7	0.9	0.6	—	—	—	—	52	
Xi40-3	0.45	1.83	5.9	3	2	1.3	0.73	0.58	0.43	0.32	0.18	0.03	95	
Xi40-3 (×1 flap valve)	0.45	1.83	5.9	3	2	1.3	0.73	0.58	—	—	—	—	51	

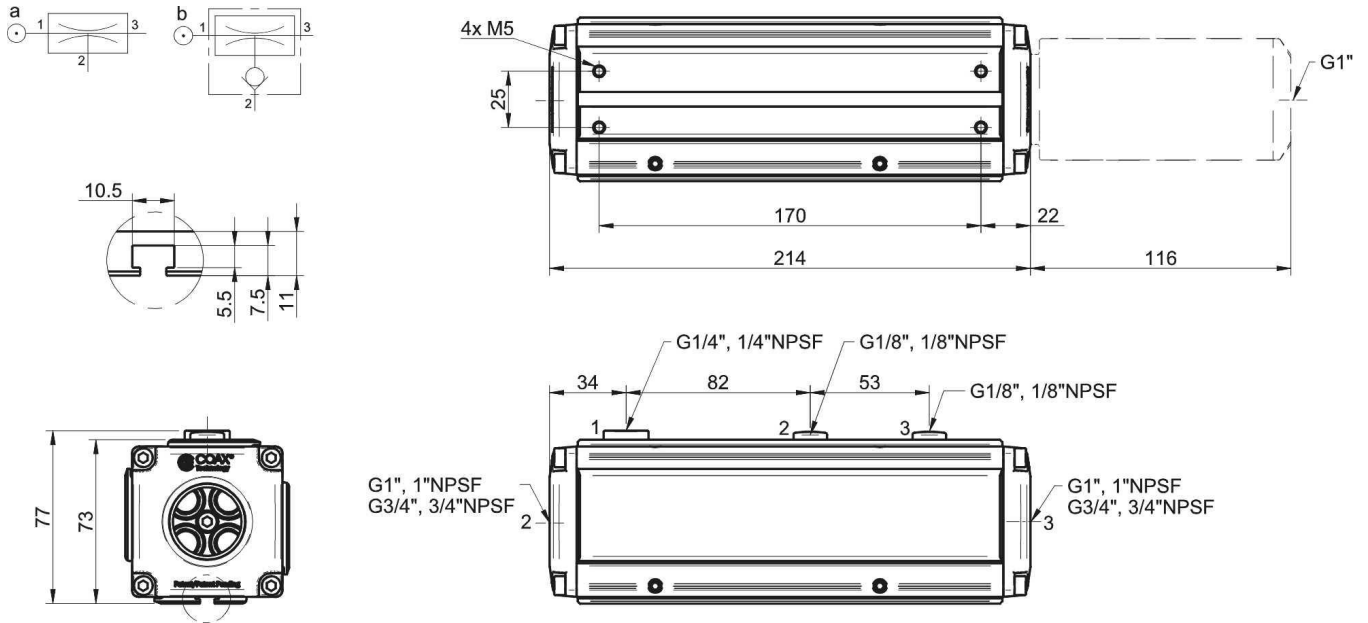
Evacuation time

COAX® Cartridge	Feed pressure MPa	Air consumption NI/s	Evacuation time (s/l) to reach different vacuum levels (-kPa)											Max vacuum -kPa
			10	20	30	40	50	60	70	80	90			
Pi48-3	0.31	2	0.02	0.06	0.12	0.25	0.45	0.7	1	1.6	4	—	—	90
Si32-3	0.6	1.75	0.02	0.05	0.1	0.18	0.33	0.53	0.8	—	—	—	—	75
Si32-3 (×1 flap valve)	0.6	1.75	0.02	0.05	0.1	0.18	0.33	—	—	—	—	—	—	52
Xi40-3	0.45	1.83	0.022	0.062	0.12	0.22	0.37	0.57	0.84	1.2	2.2	—	—	95
Xi40-3 (×1 flap valve)	0.45	1.83	0.022	0.062	0.12	0.22	0.37	—	—	—	—	—	—	51

Blow flow

COAX® Cartridge	Feed pressure MPa	Air consumption NI/s	Blow flow (NI/s) at different pressure levels (kPa)							Max pressure kPa
			0	20	40	60	70	80	90	
Si32-3	0.6	1.75	7.8	4.6	3.3	2.7	2.3	1.8	—	80
Si32-3 (×1 flap valve)	0.6	1.75	7.8	4.6	3.3	2.7	2.3	1.8	—	80
Xi40-3	0.6	2.33	8.4	5.1	3.92	3.39	3.23	2.95	2.58	90

Dimensional drawings



Values specified in the data sheet are tested at:

Room temperature	(20°C [68°F] ± 3°C [5.5°F])
Standard atmosphere	(101.3 [29.9 inHg] ± 1.0 kPa [0.3 inHg])
Relative humidity	0-100%
Compressed air quality	DIN ISO 8573-1 class 4

Accessories

	Item no.
Silencer G1"	0112499
Silencer 1" NPSF	0113003
Manometer 250 kPa	0112533
Manometer 1 MPa	0112532