



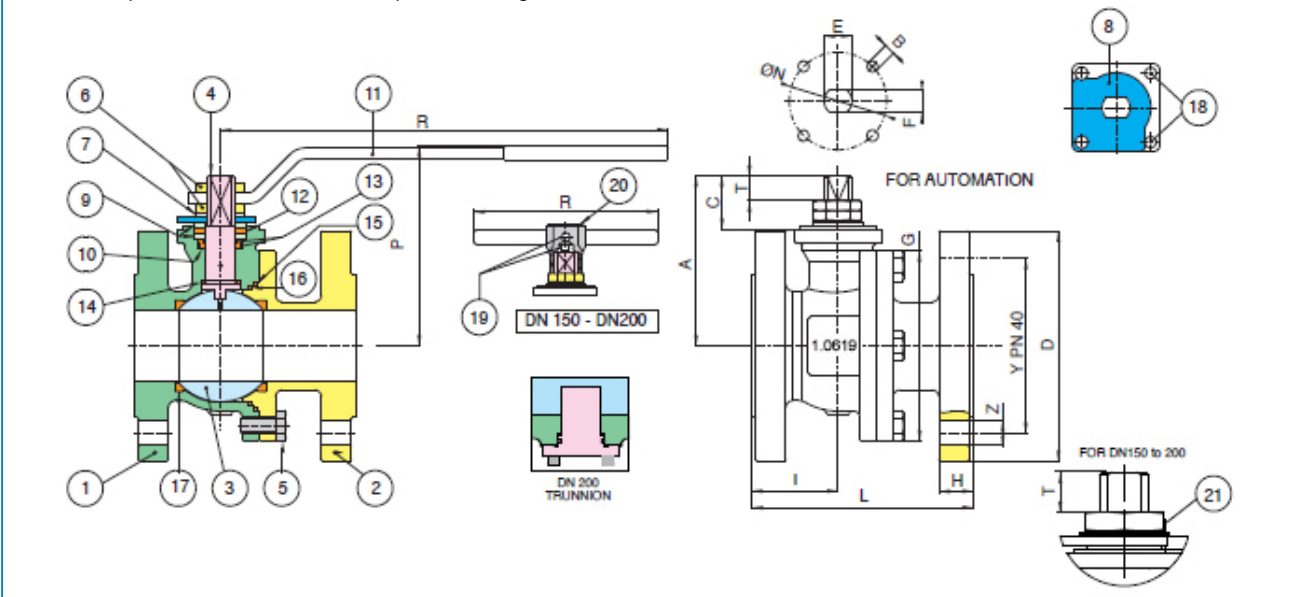
Serie **SPLIT-BODY PN40...**

Articolo **760041**

CARBON STEEL

Flanged PN40 stainless steel AISI 316-CF8M and carbon steel WCB ball valve, full bore, EN 558 basic series 27, face to face dimension, Fire Safe, Antistatic Device.

Limiti di temperatura: -10° +160° - Temperature range: -10° +160° Vuoto: 10-3 torr. - Vacuum: 10-3 torr.



POS.	PART NAME	MATERIALE-MATERIALS MATERIAUX-WERKSTOFF- MATERIAL	N°P
1	BODY	1.0619	1
2	END CONNECTION	1.0619	1
3	BALL	A479-Tp304/A351-CF8	1
4	STEM	A479-Tp304	1
5	SCREW	CARBON STEEL	4-8-12
6	NUT	STAINLESS STEEL	1-2
7	SPRING WASHER	CARBON STEEL	2
8	90° STOP	CARBON STEEL	1
9	PACKING GLAND	A182-F316	2
10	STEM SEAT	P.T.F.E	1
11	HANDLE	CARBON STEEL	1
12	STEM SEAL	GRAPHOIL	1
13	O-RING	FKM (VITON®)	2
14	THRUST WASHER	P.T.F.E	1
15	BODY SEAT	GRAPHOIL	1

16	BODY SEAT	P.T.F.E	1
17	BALL SEAT	P.T.F.E + FIBERGLASS	2
18	SCREW	CARBON STEEL	2
19	SCREW	CARBON STEEL	2
20	BODY HANDLE DN150-200	EN-GJL 250	1
21	UNSCREWING GROWER	A182-F316	1

MISURA SIZE	DN	D	Y	Z	H	I	L	G	P	R	A	C	T	E	F	ØN	B	Kv	PN	Kg
1/2***	15	95	65	4 X Ø14	16	49	115	71	88	131	52	19	8	M10	7	42- F04	M5	19,2	40	2,50
3/4***	20	105	75	4 X Ø14	18	51	120	73,5	93	131	56	19	8	M10	7	42- F04	M5	35,0	40	3,20
1***	25	115	85	4 X Ø14	18	54	125	90,5	89	174	72,5	27,5	13	M12	8	50- F05	M6	64,5	40	4,50
1**1/4**	32	140	100	4 X Ø18	18	55	130	97	93	174	76	27,5	13	M12	8	50- F05	M6	103,8	40	5,80
1**1/2**	40	150	110	4 X Ø18	18	51,5	140	114	133	250	107	30	10	M16	10	50- F05	M6	174,0	40	8,10
2***	50	165	125	4 X Ø18	20	57,5	150	136,5	144	321	122	38,5	18	M20	14	70- F07	M8	301,3	40	11,40
2**1/2	65	185	145	8 X Ø18	22	61	170	167,6	154	321	133	39,5	18	M20	14	70- F07	M8	545,7	40	15,30
3"	80	200	160	8 X Ø18	24	75,5	180	178,6	173	381	151	43	18	M24	18	102- F10	M10	872,5	40	21,60
4"	100	235	190	8 X Ø22	24	80	190	219	187	381	165	43	18	M24	18	102- F10	M10	1363,3	40	31,20
6"	150	300	250	8 X Ø25	28	163	350	306	305	700	245	68	41	M42	30	125- F12	M12	3671,1	40	82,70
8**	200	375	320	12 X Ø29	34	201	400	410	348	700	290	68	41	M42	30	125- F12	M12	6816,6	40	143,00

* TRUNNION (delta)p=25 bar

** art.760001