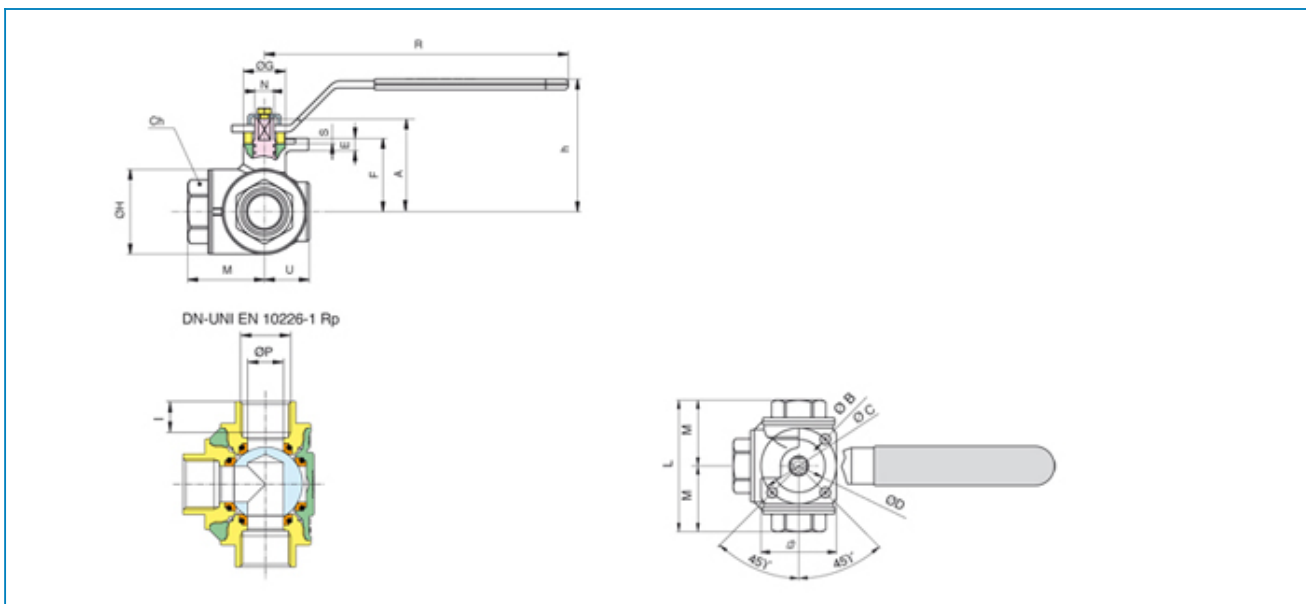




Serie **COMBI-SFER**

Articolo **3600 L**

Three way full bore ball valve, female threaded, L-port, with steel handle and ISO5211 pad for actuator.



POS.	PART NAME	MATERIALE-MATERIALS MATERIAUX-WERKSTOFF- MATERIAL	N°P
1	BODY	OTTONE CW617N UNI EN 12165	1
2	END CONNECTION	OTTONE CW617N UNI EN 12165	3
3	BALL	OTTONE CW614N UNI EN 12164	1
4	STEM	OTTONE CW614N UNI EN 12164	1
5	BUSH	OTTONE CW614N UNI EN 12164	1
6	HANDLE	ACCIAIO DD11 UNI EN 10111	1
7	BALL SEAT	P.T.F.E	4
8	THRUST WASHER	P.T.F.E	1
9	THRUST WASHER	P.T.F.E	1
10	O-RING	FKM	2
11	O-RING	FKM	4
12	SCREW	FERRO	1
13	WASHER	PA 6	1

MISURA SIZE	DN	BOX	MASTER BOX	CODICE CODE	ØP	I	Ch	ØH	L	A	ØB	ØD	ØC	E	F	Quadro	ØG	M	N	S	U	h	R	K
1/4"	8	5	30	3600020000	11	11	22	34	67	9	6	25	36 F03	5	30,5	38	22	33,5	9	2	19,5	62	120	2
3/8"	10	5	30	3600030000	11	11,4	22	34	67	9	6	25	36 F03	5	30,5	38	22	33,5	9	2	19,5	62	120	3
1/2"	15	10	20	3600040000	15	15	27	39	77	9	6	25	36 F03	5	32,5	38	22	38,5	9	2	22	64	120	3
3/4"	20	6	12	3600050000	20	16,3	32	48	87	11	7	35	50 F05	7	41,5	50	24	43,5	11	3	24,5	75	170	7
1"	25	6	12	3600060000	25	19,1	41	60	105	11	7	35	50 F05	7	47	50	24	52,5	11	3	30	80,5	170	1
1"1/4	32	4	8	3600070000	32	21,4	50	72	122,5	11	7	35	50 F05	7	59,5	50	32	61,2	11	3	38	93	170	2
1"1/2	40	2	4	3600080000	40	21,4	55	86	138,5	15	9	55	70	8	74	70	37	69,2	14	3	44,5	111	230	3



**RUBINETTERIE
BRESCIANE**



2"	50	1	2	3600100000	50	25,7	70	111	166	15	9	55	F07 70 F07	8	85	70	37	83	14	3	56	122	230	5.
----	----	---	---	------------	----	------	----	-----	-----	----	---	----	------------------	---	----	----	----	----	----	---	----	-----	-----	----

Limiti di temperatura: -20°C +160°C - Temperature range: -20°C +160°C.