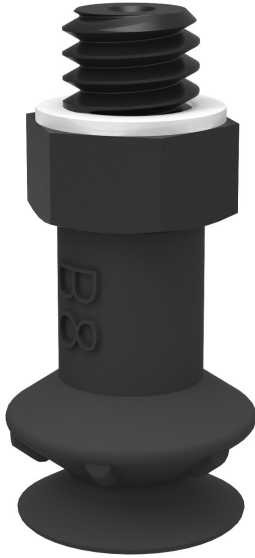


Suction cup B8 Chloroprene, M5 male, B8.10.01AB



- Lifting movement to separate small and thin objects.
- Only lightweight objects should be handled when the lifting force is parallel to the surface.
- Suitable for level adjustment.
- Suction cups of conductive silicone and semi-conductive EPDM are suitable for objects with sensitivity to static electricity.

General

Curve radius	0.07 in
Movement, vertical max.	0.14 in
Application	Electronic / semiconductor, Plastic injection molded parts, Dry sheet metal
Material	Chloroprene (CR)
Suction cup model	B
Suction cup shape	Bellows
Volume	0.01 in ³
Weight	0.01 oz

Fitting

Fitting size	M5
Fitting style	Male
Fitting type	M-thread
Fitting option	None

Dimension

Height	0.76 in
Outer diameter	0.35 in

Performance — lifting forces

		
6 -inHg		0.18 lbf
18 -inHg		0.36 lbf
27 -inHg		0.56 lbf

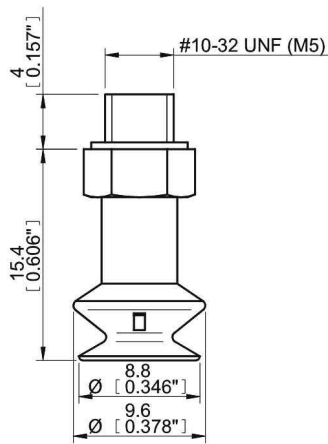
Material

	Chloroprene (CR)
Color	Black
Hardness	50 °Shore A
Temperature	-40 – 230 °F

Material resistance

	Chloroprene (CR)
Alcohol	++
Concentrated acids	-
Ethanol	N/A
Hydrolysis	++
Methanol	N/A
Oil	+
Oxidation	++
Gasoline	+
Wear resistance	+++
Weather and ozone	++

Dimensional drawings



Values specified in the data sheet are tested at:

Room temperature	(20°C [68°F] ± 3°C [5.5°F])
Standard atmosphere	(101.3 [29.9 inHg] ± 1.0 kPa [0.3 inHg])
Relative humidity	0-100%
Compressed air quality	DIN ISO 8573-1 class 4

Spare parts

	Part no.
Fitting M5 male, 5-8	01AB
Suction cup B8 Chloroprene	B8.10

Accessories

	Part no.
Suction cup B8 Silicone	B8.20
Suction cup B8 HNBR	B8.47
Suction cup B8 Conductive silicone	B8.25