

Bellows suction cup S.B8S50.MM5M.00



- ▶ The lifting movement can be used to separate small and thin objects.
- ▶ Only lightweight objects should be handled when the lifting force is parallel to the surface of the object, in order to achieve good precision and safe lifting movement.
- ▶ Suitable for level adjustment.

Lifting force

Description	6 -inHg	Vertical 18 -inHg	27 -inHg
Lifting forces	0.2 lbf	0.4 lbf	0.6 lbf

Technical data

Description	Unit	Value
Internal volume	in ³	0.01
Weight	oz	0.07
Min. curve radius -60 kPa	in	0.07
Max. vertical movement	in	0.14
Application	-	Dry sheet metal,
Material	-	Silicone (SIL)
Colour	-	Red
Suction cup model	-	B
Suction cup shape	-	Bellows
Hardness °Shore A	-	hardness_50
Temperature range (°C)	°F	-40 – 392
Actuated outer diameter, Max	in	0.40

Fitting specification

Description	Value
Fitting size	M5
Fitting style	Male
Fitting type	M-Thread
Fitting material	CuZn, PA
Fitting option	None

Material resistance , Silicone, SIL

Description	Value
Alcohol	Good
Concentrated Acids	Poor
Ethanol	N/A
Hydrolysis	Fair
Methanol	N/A

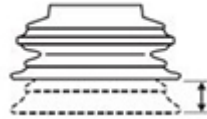
Oil	Poor
Oxidation	Excellent
Petrol	Poor
Wear Resistance	Good
Weather & Ozone	Excellent

Values specified in data sheet are tested at:

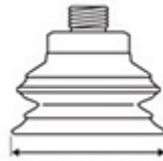
- Room temperature (20°C [68°F] ± 3°C [5.5°F]).
- Standard atmosphere (101.3 [29.9 inHg] ± 1.0 kPa [0.3 inHg]).
- Relative humidity 20-70%.
- Compressed air quality, DIN ISO 8573-1 class 4.



Internal volume



Max. vertical movement

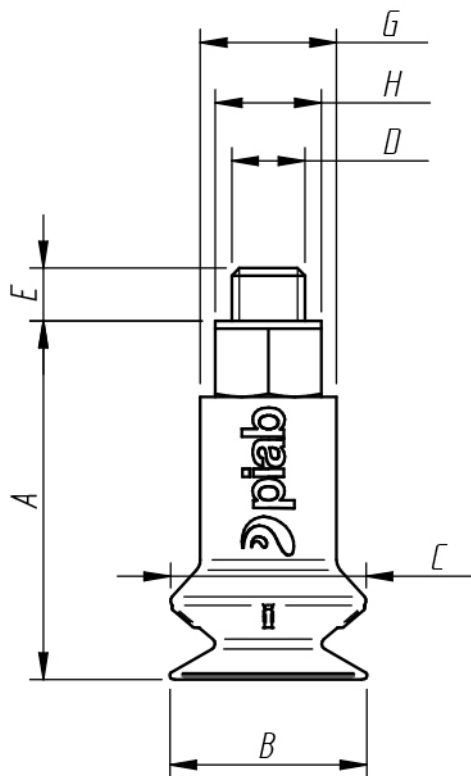


Diameter lip



Min. curve radius -60 kPa

Dimensional drawing



Product code	Description	Unit	Value
A	Building height	mm [inch]	15.9 [0.63"]
B	Diameter lip	mm [inch]	8.8 [0.35"]
C	Diameter (bellow)	mm [inch]	9.6 [0.38"]
D	Thread	-	10-32 UNF (M5)
E	Thread height	mm [inch]	3.5 [0.14"]
G	Diameter (upper part cup)	mm [inch]	5.5 [0.22"]
H	Keygrip	mm	SW 7

Ordering information

Description	Product code
Bellows suction cup, Ø 8m, Silicone, SIL, 50 °Shore A, M-Thread, M5, Male, None	S.B8S50.MM5M.00

Ordering information, spare parts

Description	Art. No.
Fitting M5 male, 5-8	3107031
Suction cup B8 Silicone	3150287S

Ordering information, accessories

Description	Art. No.
Suction cup B8 Chloroprene	3150287
Suction cup B8 Conductive silicone	3150287SC
Suction cup B8 Silicone FCM	0200278
Suction cup B8 HNBR	0200894