

Suction cup U2 Conductive silicone, M2.5 male, U2.25.01AA



- Suitable for objects with flat or slightly curved surfaces.
- Also used for concave objects.
- Suction cups of conductive silicone are suitable for objects with sensitivity to static electricity.

General

Curve radius	0.16 in
Movement, vertical max.	0.00 in
Application	Electronic / semiconductor
Material	Conductive Silicone (CSIL)
Suction cup model	U
Suction cup shape	Universal
Volume	0.00 in ³
Weight	0.00 oz

Fitting

Fitting size	M2.5
Fitting style	Male
Fitting type	M-thread
Fitting option	None

Dimension

Height	0.35 in
Outer diameter	0.10 in

Performance — lifting forces

		
6 -inHg		0.01 lbf
18 -inHg		0.02 lbf
27 -inHg		0.03 lbf

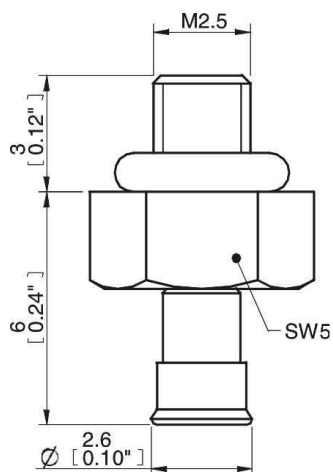
Material

	Conductive Silicone (CSIL)
Color	Black
Hardness	50 °Shore A
Temperature	-67 – 446 °F

Material resistance

	Conductive Silicone (CSIL)
Alcohol	++
Concentrated acids	-
Ethanol	N/A
Hydrolysis	+
Methanol	N/A
Oil	-
Oxidation	+++
Gasoline	-
Wear resistance	++
Weather and ozone	+++

Dimensional drawings



Values specified in the data sheet are tested at:

Room temperature	(20°C [68°F] ± 3°C [5.5°F])
Standard atmosphere	(101.3 [29.9 inHg] ± 1.0 kPa [0.3 inHg])
Relative humidity	0-100%
Compressed air quality	DIN ISO 8573-1 class 4

Spare parts

	Part no.
Fitting M2.5 male	01AA
Suction cup U2 Conductive silicone	U2.25