

Vacuum filter G1½" (10 µm), 31.16.653



- To filter dust and other small particles from the vacuum flow.
- Reduces the risk of operation breakdown or stoppage in the pump.
- Replaceable filter element.
- Available with special filter element with increased filter area.

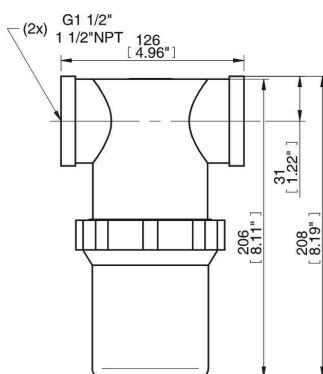
General

| | |
|--------------------|----------------------|
| Filter area | 35.7 in ² |
| Material | PA, PE, PP |
| Removal efficiency | 10 µm |
| Temperature | -4 – 176 °F |
| Weight | 1.23 lb |

Pneumatic data

| | |
|------------------|----------------------|
| Flow | 180 scfm |
| Pressure | -14.5 – 0 psi |
| Volume, internal | 41.2 in ³ |

Dimensional drawings



Spare parts

| | Part no. |
|-----------------------------------|----------|
| Filter element 1½" (10 µm), 3 pcs | PPX75RE3 |