



Pinch solenoid valve 2/2 way N.C. Direct acting - Bidirectional

21Z30G2S99
÷
21Z30G2S99-S

PRESENTATION:

Direct acting S.V., producing no turbulences, for interception of fluids compatible with the construction materials. Minimum operational pressure is not required. This S.V. allow bidirectional flow and avoid any dead space. The materials used and the tests carried out ensure maximum reliability and duration.

USE: Automation, analysis and medical.

COILS: 14W - Ø 13
GDA 155° (class F)
GDH 180° (class H)

COIL HOUSING AND COIL FORMER MATERIAL ARE MADE BY 100% VIRGIN MATERIAL



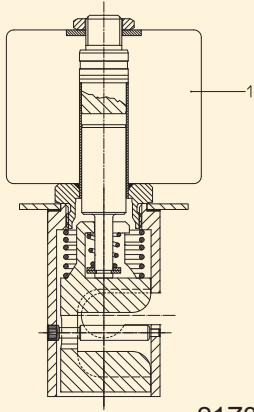
Environment temperature	
- 10°C	+ 40°C

Tubings			Code	Pinching force (g)	Power absorption watt	Pressure max		Weight (g)
Ø int. (mm)	Ø ext. (mm)	wall thickness (mm)				AC bar	DC bar	
7	12	2,5	21Z30G2S99	2600	14	-	1	540
			21Z30G2S99-S			1*	1	

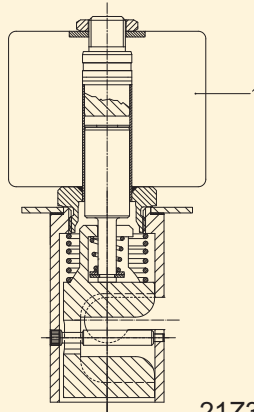
Note:

* To use in AC, a rectifier bridge will be supplied with the DC coil |This S.V. is suitable for soft silicon tubings with hardness 55 ± 3 shore A | Tubing are not included in our supply | Available on request and with minimum quantities.

The "ODE " reserves the right to carry out technical and aesthetic modifications without prior notice.



21Z30G2S99



21Z30G2S99-S

MATERIALS:

Body	Anodized Aluminium
Welded armature tube	Stainless steel AISI series 300 + Brass - UNI EN 12165 CW617N
Fixed core	Stainless steel AISI series 400
Plunger	Stainless steel AISI series 400
Spring	Stainless steel AISI series 300

On request:

Connector	Pg 9 or Pg 11
Connector conformity	ISO 4400

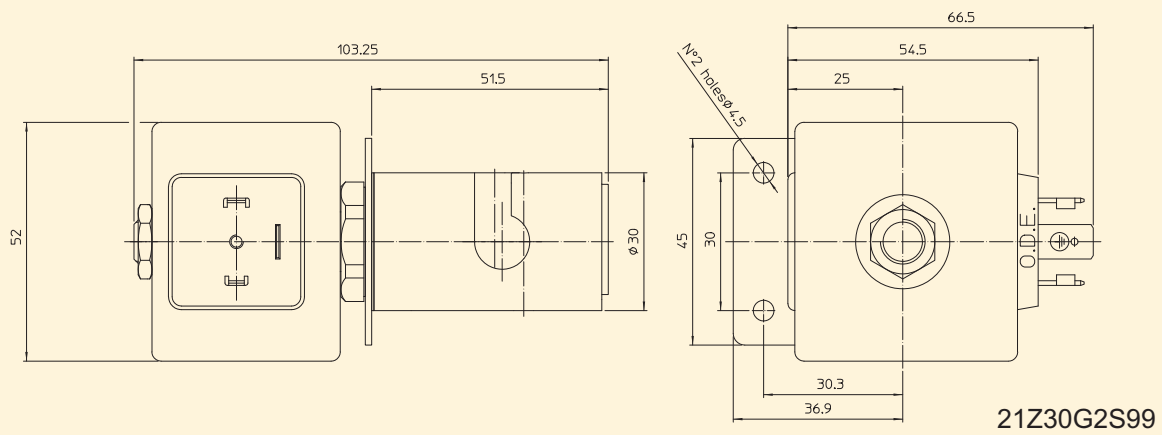
FEATURES:

Electrical conformity	IEC 335
Protection	IP 65 EN 60529 (DIN 40050) with coil fitted by connector.

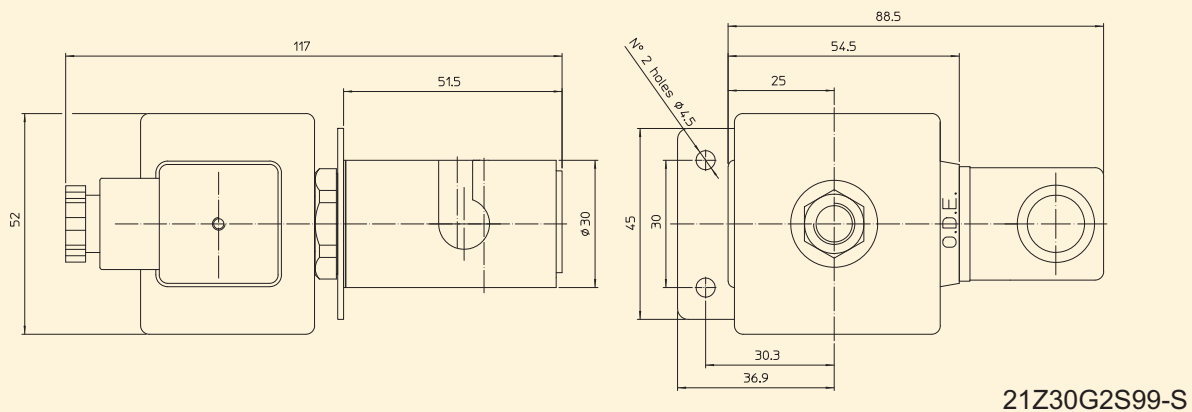
SPARE PARTS:

- 1. Coil:**
 RGDH14024CS
 RGDA14024CS

DIMENSIONS:



21Z30G2S99



21Z30G2S99-S