



# Solenoid valve 2/2 way N.C. With pilot control

21H9KV180

## PRESENTATION:

S.V. with pilot control for interception of fluids compatible with the construction materials.

A minimum operational pressure of 0,1 bar is required.

The materials used and the tests carried out ensure maximum reliability and duration.

**USE:** Automation  
Heating

**PIPES:** G 3/4

**COILS:**

8W - Ø 13	
BDA - BSA	155°C (class F)
BDV	180°C (class H)
12W - Ø 13	
UDA	155°C (class F)
14W - Ø 13	
GDH - GDV	180°C (class H)

**COIL HOUSING AND COIL FORMER MATERIAL ARE MADE BY 100% VIRGIN MATERIAL.**

Max. allowable pressure (PS) 16 bar

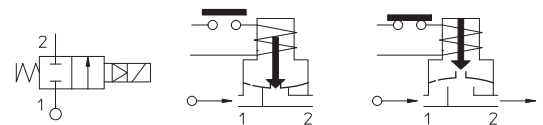
Ambient temperature:

See coils catalogue page for its compatibility.



Gaskets	Temperature		Medium
	-	+	
V=FKM (fluoroelastomer)	- 10°C	+140°C	Mineral oils (2°E), gasoline gas oil
B=NBR (nitrile rubber)	- 10°C	+ 90°C	Air, inert gas, water
E=EPDM (ethylene-propylene)	- 10°C	+140°C	Water, steam

For seals other than FKM replace the letter "V" with the ones corresponding to the other seals. E.I. 21H9KB180.



Pipe ISO 228/1	Code	Max viscosity		Ø mm	Kv l/mn	Power watt	Pressure		
		cSt	°E				min bar	M.O.P.D.	
								AC bar	DC bar
G 3/4	21H9KV180	12	~ 2	18	50	8	0,1	16	3
						12			10
						14			16

The "ODE" reserves the right to carry out technical and aesthetic modifications without prior notice.

**MATERIALS:**

**Body** Brass - UNI EN 12165 CW617N  
**Weleded armature tube** Stainless steel AISI series 300+  
 Brass - UNI EN 12165 CW617N  
**Fixed core** Stainless steel AISI series 400  
**Plunger** Stainless steel AISI series 400  
**Phase displacement ring** Copper - Cu 99,9%  
**Spring** Stainless steel AISI series 300  
**Seal** Standard: V=FKM  
 On request: B=NBR E=EPDM  
**Orifice** Brass - UNI EN 12165 CW617N

**On request:** Pg 9 or Pg 11  
**Connector** ISO 4400  
**Connector conformity**

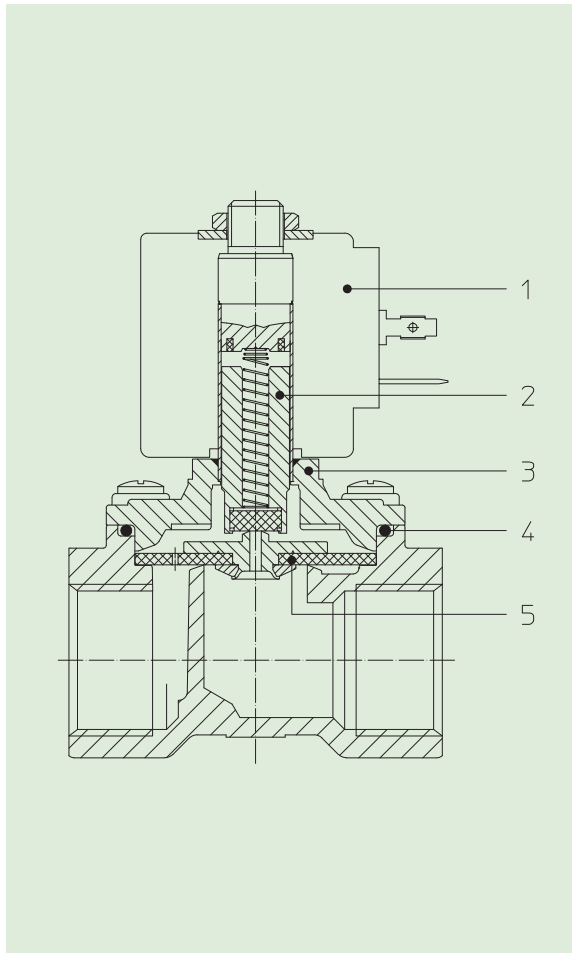
**FEATURES:**

**Electrical conformity** IEC 335  
**Protection degree** IP 65 EN 60529 (DIN 40050)  
 with coil fitted by connector

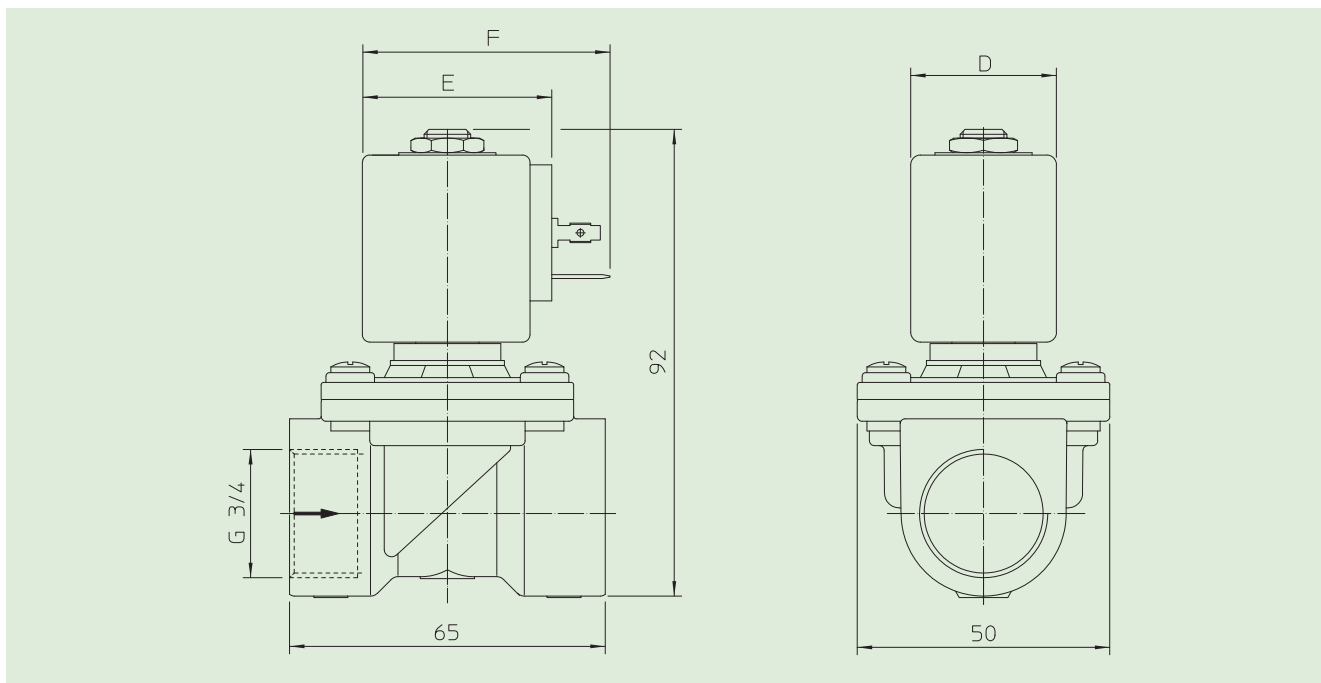
**SPARE PARTS:**

1. **Coil:**  
See coils list
2. **Complete plunger:**  
Code R451284/V
3. **Complete cover with armature tube without gasket:**  
Code R452291
4. **Gasket O-Ring:**  
Code R990105/V
5. **Complete diaphragm:**  
Code R451220/V

**MAINTENANCE KIT:**  
 KTG0H9KV18=2+4+5



**DIMENSIONS:**



COIL TYPE	POWER ABSORPTION			DIMENSIONS		
	W ==	Hold VA ~	Inrush VA ~	D mm	E mm	F mm
B	8	14,5	25	30	42	54
U	12	23	35	36	48	60
G	14	27	43	52	55	67