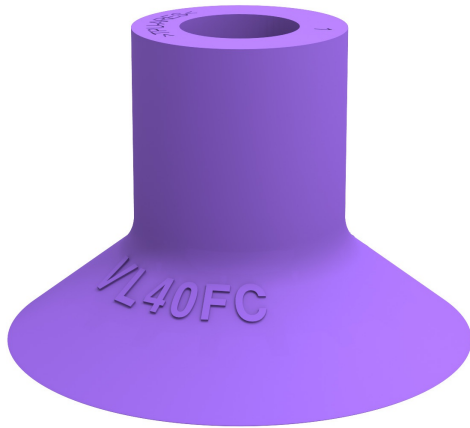


# Suction cup VL40FC, 02.02.100



- Suitable for flat or slightly corrugated or curved surfaces
- Good stability and little inherent movement
- Recommended when the lifting force is parallel to the surface of the object
- Cleats prevent thin, sensitive objects from being deformed and gives extra friction when the lifting force is parallel
- Volume discounts available for big packs from 30-99 pieces with an even larger discount for big packs of 100 pieces and above
- 
- PVC-free recycable material

## General

Material	TPE-U
Suction cup model	FC
Suction cup shape	Flat Concave

## Fitting

Fitting size	None
Fitting style	None
Fitting type	None
Fitting option	None

## Dimension

Height	1.06 in (B)
Height 2	0.59 in (D)
Inner diameter	0.39 in (C)
Outer diameter	1.57 in (A)

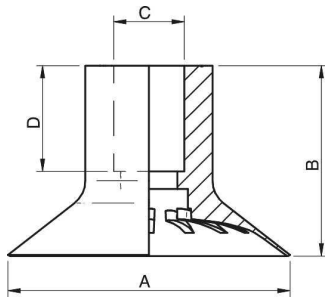
## Performance — lifting forces

15 -inHg	8.54 lbf

## Material

	TPE-U
Color	Purple
Hardness	—
Temperature	32 – 140 °F

## Dimensional drawings



## Values specified in the data sheet are tested at:

Room temperature	(20°C [68°F] ± 3°C [5.5°F])
Standard atmosphere	(101.3 [29.9 inHg] ± 1.0 kPa [0.3 inHg])
Relative humidity	0-100%
Compressed air quality	DIN ISO 8573-1 class 4

## Accessories

	Part no.
Fitting VL D=Ø10, G1/4" - G1/8"	02.02.158
Fitting VL D=Ø10, G3/8" - G1/4"	02.02.164
Fitting VL D=Ø10, 1/4" NPT - 1/8" NPSF	02.02.162
Fitting VL D=Ø10, 3/8" NPT - 1/4" NPSF	02.02.166