

# piSAVE® sense Multiple port fitting 04/60 (blue), 01.28.731

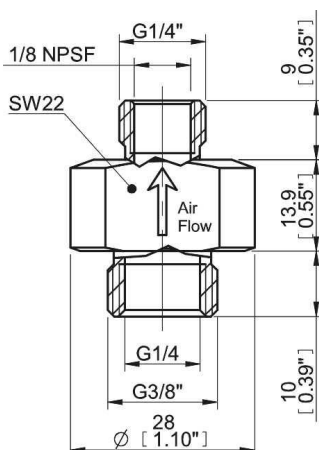


- Vacuum check valves which allows a few suction cups to miss the object(s) and still maintain enough vacuum level in the system with quick response and release times.
- The vacuum check valves shall be used in a centralized vacuum system, one for each suction cup.
- Designing with vacuum check valves will require a smaller vacuum pump and save energy.
- Also suitable for objects with surface leakage around the lip of the suction cup.
- Available in four sizes with different flow performance/characteristics to suit different degree of leakage on handled material and different size of cups.
- The valves are supplied separately for integration or mounted in an Al-fitting with female and male threaded connections to facilitate installation.

## General

Material	Al, HNBR, Nitrile (NBR), Thermoplastic Polyurethane (TPE-U)
Pump flow/cup minimum	0.32 scfm
Pump flow/cup to close valve	1.17 scfm
Temperature	-4 – 176 °F
Valve colour	Blue
Weight	0.73 oz

## Dimensional drawings



## Accessories

	Part no.
piSAVE® sense Assembly tool 16mm	02.02.589