

# Suction cup OBF65x170P Polyurethane 55/60, G3/8" male, with mesh filter, OBF65x170P.5R.G40M



- Special designed friction cups for oily surfaces, such as sheets in metal forming processes.
- Normal wear on friction cup will not affect the long term shear force performance.
- Best choice if  $> 0,1\text{g/m}^2$  press oil is used on the sheet.
- Thanks to the strong grip on oily surfaces, the suction cups can withstand high shear forces, typically 2–4 times more than corresponding conventional suction cups.
- The "OBF" design is suitable for oblong objects with domed and flat surfaces, such as those encountered with body parts in the automotive industry.
- Can handle objects with height differences.
- Fitting option, male G3/8", with a swivel function prior to the locking operation, for easy positioning of the oval cup.
- DURAFLEX® suction cups manufactured in a specially developed material that features the elasticity of rubber and wear resistance of polyurethane. The material does not leave any marks on the objects handled.

## General

Curve radius	1.97 in
Movement, vertical max.	0.59 in
Application	Oily sheet metal
Material	Polyurethane (PU55), Polyurethane (PU60)
Suction cup model	OBF
Suction cup shape	Oval Bellows
Volume	12.2 in <sup>3</sup>
Weight	10.19 – 10.93 oz

## Fitting

Fitting size	3/8"
Fitting style	Male
Fitting type	G-thread
Fitting option	Filter mesh

## Performance — lifting forces, Dry metal sheet

		
18 -inHg	89.2 lbf	98.2 lbf
27 -inHg	128 lbf	139 lbf

## Performance — lifting forces, Oily steel plate

		
18 -inHg	90.6 lbf	121 lbf
27 -inHg	113 lbf	149 lbf

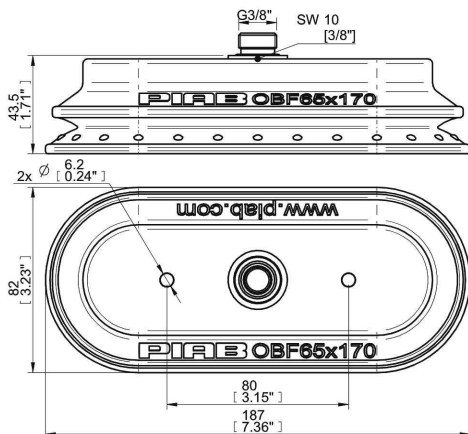
## Material

	Polyurethane (PU55)	Polyurethane (PU60)
Color	Orange	Green transparent
Hardness	55 °Shore A	60 °Shore A
Temperature	50 – 122 °F	50 – 122 °F

## Material resistance

	Polyurethane (PU55)	Polyurethane (PU60)
Alcohol	N/A	N/A
Concentrated acids	+	+
Ethanol	+	+
Hydrolysis	+	+
Methanol	-	-
Oil	+++	+++
Oxidation	-	-
Gasoline	+	+
Wear resistance	+++	+++
Weather and ozone	+++	+++

## Dimensional drawings



## Values specified in the data sheet are tested at:

Room temperature	(20°C [68°F] ± 3°C [5.5°F])
Standard atmosphere	(101.3 [29.9 inHg] ± 1.0 kPa [0.3 inHg])
Relative humidity	0-100%
Compressed air quality	DIN ISO 8573-1 class 4