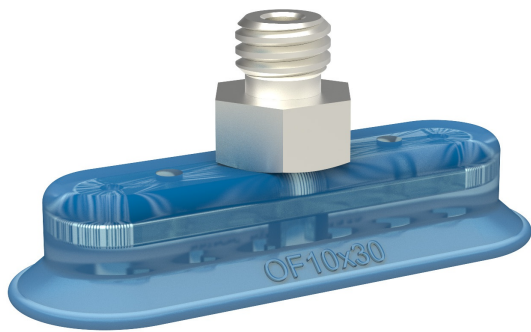


Suction cup OF10x30P Polyurethane 50, M5 male, OF10X30P.4D.13UA



- Suitable for flat and rough surfaces.
- Fair stability and little inherent movement.
- Recommended when the lifting force is parallel to the surface of the object.
- Cleats prevent thin, sensitive objects from being deformed and give extra friction when the lifting force is parallel to the surface of the object.
- DURAFLEX® material features the elasticity of rubber in combination with the wear resistance of polyurethane.
- The DURAFLEX® material is mark-free.

General

Curve radius	0.59 in
Movement, vertical max.	0.04 in
Application	Mark Free
Material	Polyurethane (PU50)
Suction cup model	OF
Suction cup shape	Oval Flat
Volume	0.03 in ³
Weight	0.14 oz

Fitting

Fitting size	M5
Fitting style	Male
Fitting type	M-thread
Fitting option	None

Dimension

Height	0.57 in
Outer diameter	1.21 in
Width	0.43 in

Performance — lifting forces

		
6 -inHg	0.9 lbf	1.35 lbf
18 -inHg	2.47 lbf	2.7 lbf
27 -inHg	3.82 lbf	3.82 lbf

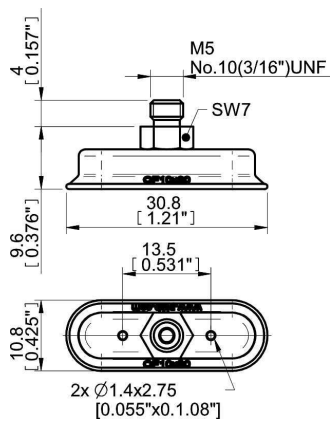
Material

	Polyurethane (PU50)
Color	Blue transparent
Hardness	50 °Shore A
Temperature	50 – 122 °F

Material resistance

	Polyurethane (PU50)
Alcohol	N/A
Concentrated acids	+
Ethanol	+
Hydrolysis	+
Methanol	-
Oil	+++
Oxidation	-
Gasoline	+
Wear resistance	+++
Weather and ozone	+++

Dimensional drawings



Values specified in the data sheet are tested at:

Room temperature	(20°C [68°F] ± 3°C [5.5°F])
Standard atmosphere	(101.3 [29.9 inHg] ± 1.0 kPa [0.3 inHg])
Relative humidity	0-100%
Compressed air quality	DIN ISO 8573-1 class 4