

# Suction cup BX52P Polyurethane 30/60 with filter, G3/8" male, with mesh filter, BX52P.4K.05AD.F



- Suitable for level adjustment and for uneven and porous surfaces such as cardboard, etc.
- Dual hardness allowing strength and stability in conjunction with softness and flexibility.
- DURAFLEX® material features the elasticity of rubber in combination with the wear resistance of polyurethane.
- The DURAFLEX® material is mark-free.
- Filter disk made of polyester PES4/14 and TPE.

## General

Curve radius	1.26 in
Movement, vertical max.	0.75 in
Application	Mark Free, Plastic injection molded parts, Dry sheet metal, Corrugated / cardboard
Material	Polyurethane (PU30), Polyurethane (PU60)
Suction cup model	BX-P
Suction cup shape	Multibellows
Volume	1.83 in <sup>3</sup>
Weight	0.85 oz

## Fitting

Fitting size	3/8"
Fitting style	Male
Fitting type	G-thread
Fitting option	Filter disc, Filter mesh

## Dimension

Height	2.17 in
Outer diameter	2.09 in

## Performance — lifting forces

		
6 -inHg	7.19 lbf	5.62 lbf
18 -inHg	12.6 lbf	9.9 lbf
27 -inHg	16.9 lbf	12.1 lbf

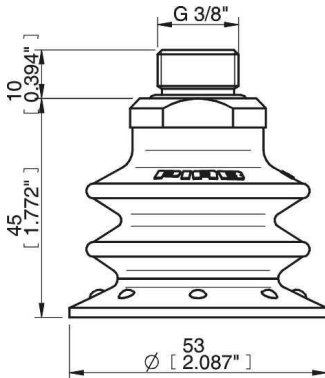
## Material

	Polyurethane (PU30)	Polyurethane (PU60)
Color	Yellow	Green transparent
Hardness	30 °Shore A	60 °Shore A
Temperature	50 – 122 °F	50 – 122 °F

## Material resistance

	Polyurethane (PU30)	Polyurethane (PU60)
Alcohol	N/A	N/A
Concentrated acids	+	+
Ethanol	+	+
Hydrolysis	+	+
Methanol	-	-
Oil	+++	+++
Oxidation	-	-
Gasoline	+	+
Wear resistance	+++	+++
Weather and ozone	+++	+++

## Dimensional drawings



## Values specified in the data sheet are tested at:

Room temperature	(20°C [68°F] ± 3°C [5.5°F])
Standard atmosphere	(101.3 [29.9 inHg] ± 1.0 kPa [0.3 inHg])
Relative humidity	0-100%
Compressed air quality	DIN ISO 8573-1 class 4

## Spare parts

	Part no.
Fitting G3/8" male, 50, with mesh filter	05AD
Suction cup BX52P Polyurethane 30/60, with filter	BX52P.4K.F
Suction cup filter BX52P, 10 pcs	02.01.002

## Accessories

	Part no.
Fitting 1/4" NPT male, with dual flow control valve	05DC
Fitting 1/4" NPT male, with mesh filter	05AC
Fitting 1/8" NPSF female, 50	05AA
Fitting 1/8" NPSF female, 50, with dual flow control valve	05DA
Fitting 1/8" NPSF female, 50, with mesh filter	05AG
Fitting 3/8" NPT male, with dual flow control valve	05DE
Fitting 3/8" NPT male, with mesh filter	05AE
Fitting 5x1/8" NPSF female, 50	05AF
Fitting 5x1/8" NPSF female, 50, with dual flow control valve	05DF
Fitting G1/4" male, 50, with mesh filter	05AB
Fitting G1/4" male, with dual flow control valve	05DB
Fitting G1/8" male, 50, with mesh filter	05AI
Fitting G3/8" male, 50, with mesh filter and dual flow control valve	05DD
Suction cup BX52P Polyurethane 30/60	BX52P.4K
Suction cup BX52P Polyurethane 60	BX52P.4E
Suction cup BX52P Polyurethane 60, with filter	BX52P.4E.F