

# Suction cup BL30-2 Chloroprene, 1/8" NPSF female, BL30-2.10.04AA

- Suitable for level adjustment.
- Lifting movement to separate small and thin objects.
- Less suitable when the lifting force is parallel to the surface of the object.
- Optional reinforcement rings made of polyamide.



## General

Curve radius	0.31 in
Movement, vertical max.	0.79 in
Application	Bag handling
Material	Chloroprene (CR)
Suction cup model	BL-2
Suction cup shape	Multibellows
Volume	0.61 in <sup>3</sup>
Weight	0.25 oz

## Fitting

Fitting size	1/8"
Fitting style	Female
Fitting type	NPSF-thread
Fitting option	None

## Dimension

Height	1.59 in
Outer diameter	1.18 in

## Performance — lifting forces,

		
6 -inHg	0.14 lbf	1.03 lbf
18 -inHg	0.36 lbf	2.14 lbf

## Performance — lifting forces, reinforcement ring

	
6 -inHg	1.44 lbf
18 -inHg	3.6 lbf

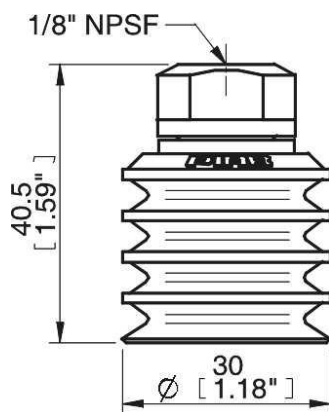
## Material

	Chloroprene (CR)
Color	Black
Hardness	50 °Shore A
Temperature	-40 – 230 °F

## Material resistance

	Chloroprene (CR)
Alcohol	++
Concentrated acids	-
Ethanol	N/A
Hydrolysis	++
Methanol	N/A
Oil	+
Oxidation	++
Gasoline	+
Wear resistance	+++
Weather and ozone	++

## Dimensional drawings



## Values specified in the data sheet are tested at:

Room temperature	(20°C [68°F] ± 3°C [5.5°F])
Standard atmosphere	(101.3 [29.9 inHg] ± 1.0 kPa [0.3 inHg])
Relative humidity	0-100%
Compressed air quality	DIN ISO 8573-1 class 4

## Spare parts

	Part no.
Fitting 1/8" NPSF female, 30-40	04AA
Suction cup BL30-2 Chloroprene	BL30-2.10

## Accessories

	Part no.
Fitting 1/4" NPT male, with dual flow control valve	04DC
Fitting 1/4" NPT male, with mesh filter	04AC
Fitting 1/8" NPSF female, 30-40, PA	04CA
Fitting 1/8" NPSF female, 30-40, with dual flow control valve	04DA
Fitting 1/8" NPSF female, 30-40, with mesh filter	04AG
Fitting 3/8" NPT male, with dual flow control valve	04DE
Fitting 3/8" NPT male, with mesh filter	04AE
Fitting 5x1/8" NPSF female, 30-40	04AF
Fitting 5x1/8" NPSF female, 30-40, with dual flow control valve	04DF
Fitting G1/4" male, 30-40, with mesh filter	04AB
Fitting G1/4" male, 30-40, with dual flow control valve	04DB
Fitting G1/8" male, 40, with mesh filter	04AI
Fitting G3/8" male, 30-40, with dual flow control valve	04DD
Fitting G3/8" male, 30-40, with mesh filter	04AD
Suction cup BL30-2 Silicone	BL30-2.20
Reinforcement ring 30-2	31.50.072