

Bellows suction cup S.B20S50.G18M.01



- ▶ The lifting movement can be used to separate small and thin objects.
- ▶ Only lightweight objects should be handled when the lifting force is parallel to the surface of the object, in order to achieve good precision and safe lifting movement.
- ▶ Suitable for level adjustment. Several short bellows in one lifting device can handle objects with height differences and varying shapes, for example embossed or corrugated plates.
- ▶ With mesh filter.

Lifting force

Description	Vertical			Parallel		
	6 -inHg	18 -inHg	27 -inHg	6 -inHg	18 -inHg	27 -inHg
Lifting forces	1.3 lbf	2.2 lbf	3.1 lbf	0.7 lbf	1.2 lbf	1.8 lbf

Technical data

Description	Unit	Value
Internal volume	in ³	0.16
Weight	oz	0.14
Min. curve radius -60 kPa	in	0.39
Max. vertical movement	in	0.39
Application	-	Dry sheet metal, Corrugated / cardboard,
Material	-	Silicone (SIL)
Colour	-	Red
Suction cup model	-	B
Suction cup shape	-	Bellows
Hardness °Shore A	-	hardness_50
Temperature range (°C)	°F	-40 – 392
Actuated outer diameter, Max	in	1.02

Fitting specification

Description	Value
Fitting size	1/8"
Fitting style	Male
Fitting type	G-Thread
Fitting material	SS, Al, NBR
Fitting option	Filter mesh

Material resistance , Silicone, SIL

Description	Value
Alcohol	Good
Concentrated Acids	Poor
Ethanol	N/A
Hydrolysis	Fair
Methanol	N/A

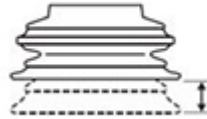
Oil	Poor
Oxidation	Excellent
Petrol	Poor
Wear Resistance	Good
Weather & Ozone	Excellent

Values specified in data sheet are tested at:

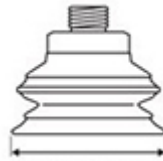
- Room temperature (20°C [68°F] ± 3°C [5.5°F]).
- Standard atmosphere (101.3 [29.9 inHg] ± 1.0 kPa [0.3 inHg]).
- Relative humidity 20-70%.
- Compressed air quality, DIN ISO 8573-1 class 4.



Internal volume



Max. vertical movement

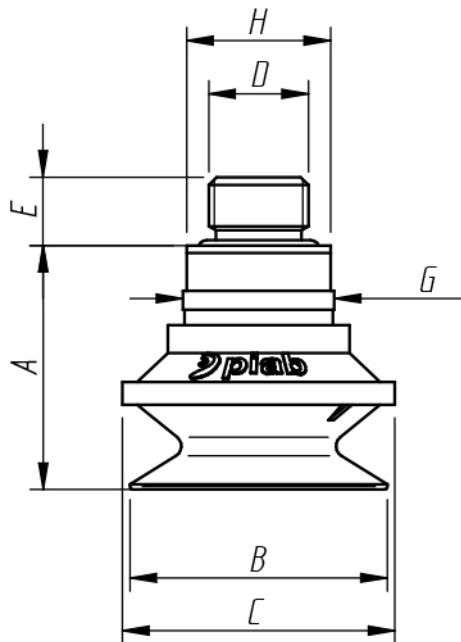


Diameter lip



Min. curve radius -60 kPa

Dimensional drawing



Product code	Description	Unit	Value
A	Building height	mm [inch]	24.0 [0.94"]
B	Diameter lip	mm [inch]	22.0 [0.87"]
C	Diameter (bellow)	mm [inch]	24.0 [0.94"]
D	Thread	-	G1/8"
E	Thread height	mm [inch]	7.0 [0.28"]
G	Diameter (upper part cup)	mm [inch]	14.5 [0.57"]
H	Keygrip	mm	SW 14

Ordering information

Description	Product code
Bellocs suction cup, Ø 20mm, Silicone, SIL, 50 °Shore A, G-Thread, 1/8", Male, Filter mesh	S.B20S50.G18M.01

Ordering information, spare parts

Description	Art. No.
Fitting G1/8" male, with mesh filter	3250085
Suction cup B20 Silicone	0101102

Ordering information, accessories

Description	Art. No.
Fitting M5 female	3250003
Fitting M5 female, with dual flow control valve	3251001
Fitting G1/8" male, check valve	3251002
Fitting G1/8" male/M5 female, with mesh filter	0101152
Fitting G1/8" male/M5 female, with dual flow control valve	3251004
Fitting G1/8" male/M5 female, with cone valve	0101155
Fitting G1/8" male/M5 female, PA	3150196
Fitting 5xM5 female	0100260
Fitting 5xM5 female, with dual flow control valve	3251005
Fitting 1/8" NPT male, with dual flow control valve	3251003
Fitting 1/8" NPT male, with mesh filter	3250088
Fitting G1/8" male/M5 female	3250004
Suction cup B20 Chloroprene	0101101
Suction cup B20MF Thermoelastic polyurethane	0101111
Suction cup B20 HNBR	0128712
Suction cup B20 Silicone FCM	0200405