



Item no: 0101120

Suction cup BL40-2 Silicone

The same applications as for short bellows but can cope with greater differences in levels due to the longer lifting movement. Not suitable for use with deep vacuum levels. Can be equipped with reinforcement rings of polyamide to give extra stability. Can be used at a wide temperature range.

- Suitable for level adjustment.
- Lifting movement to separate small and thin objects.
- Less suitable when the lifting force is parallel to the surface of the object.

General

Application	Bag handling
Suction cup shape	Multibellows
Material	Silicone (SIL)
Suction cup model	BL-2
Weight	10 g
Volume	27 cm ³
Suction cup model	BL40-2 reinforcement ring
Specification	reinforcement ring
Movement, vertical max.	27 mm
Suction cup model	BL40-2
Curve radius, min.	11 mm

Fitting

Fitting option	None
Fitting size	None
Fitting style	None
Fitting type	None

Dimension

Height	42.4 mm
Outer diameter	40 mm

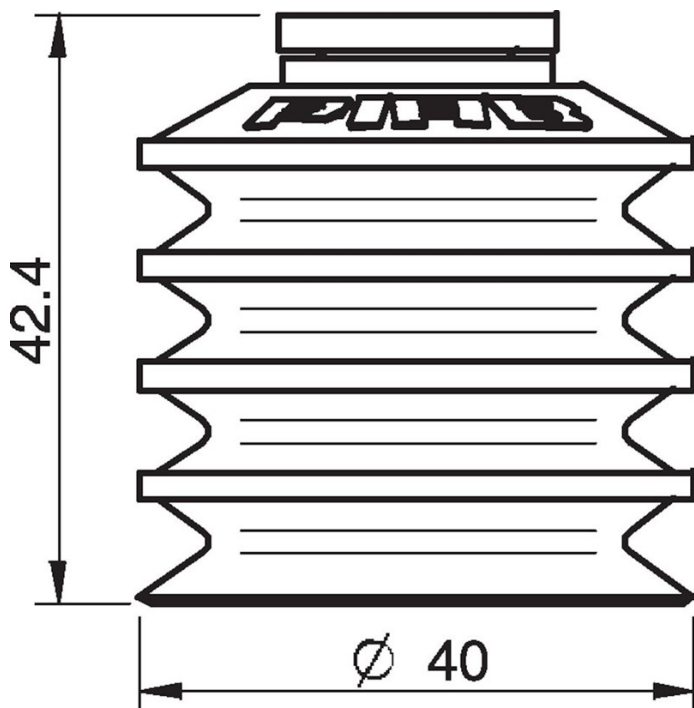
Performance - lifting forces

BL40-2 reinforcement ring	↑		
20 -kPa	11 N		
60 -kPa	22 N		
BL40-2	↑		↑
20 -kPa	1.1 N		8.9 N
60 -kPa	2.2 N		27.5 N

Material

Name	SIL
Colour	Red
Temperature	-40 - 200 °C
Hardness	50 °Shore A

	SIL
Alcohol	++
Concentrated acids	-
Ethanol	n/a
Hydrolysis	+
Methanol	n/a
Oil	-
Oxidation	+++
Petrol	-
Wear resistance	++
Weather and ozone	+++



Accessories

- 3251008 | Fitting 1/4" NPT male, with dual flow control valve
- 3250093 | Fitting 1/4" NPT male, with mesh filter
- 3250005 | Fitting 1/8" NPSF female, 30–40
- 3150197 | Fitting 1/8" NPSF female, 30–40, PA
- 3251006 | Fitting 1/8" NPSF female, 30–40, with dual flow control valve
- 0101153 | Fitting 1/8" NPSF female, 30–40, with mesh filter
- 3251010 | Fitting 3/8" NPT male, with dual flow control valve
- 3250089 | Fitting 3/8" NPT male, with mesh filter
- 0100261 | Fitting 5x1/8" NPSF female, 30–40
- 3251011 | Fitting 5x1/8" NPSF female, 30–40, with dual flow control valve
- 3250091 | Fitting G1/4" male, 30–40, with mesh filter
- 3251007 | Fitting G1/4" male, 30–40, with mesh filter and dual flow control valve
- 0200714 | Fitting G1/8" male, 40, with mesh filter
- 3251009 | Fitting G3/8" male, 30–40, with mesh and dual flow control valve
- 3250086 | Fitting G3/8" male, 30–40, with mesh filter
- 3150073 | Reinforcement ring 40-2