

Item no: 0101110

Suction cup B50-2 Silicone with filter

Several short bellows cups in one lifting device can handle objects with height differences and varying shapes. The bellows also provide a slight lifting movement to separate thin items. Materials used are silicone, conductive silicone, chloroprene, HNBR and nitrile-PVC.

- Suitable for level adjustment. Several short bellows in one lifting device can handle objects with height differences and varying shapes, for example embossed or corrugated plates.
- Lifting movement to separate small and thin objects.
- Only lightweight objects should be handled when the lifting force is parallel to the surface of the object, in order to achieve good precision and safe lifting movement.
- With mesh filter.

General

Item number, alternative	E12025020
Application	PlasticInjectionMoldedParts, DrySheetMetal
Suction cup shape	Bellows
Material	Silicone (SIL)
Suction cup model	B
Weight	20 g
Volume	32 cm ³
Suction cup model	B50-2
Movement, vertical max.	12.4 mm
Curve radius, min.	30 mm



Fitting

Fitting option	Filter disc
Fitting size	None
Fitting style	None
Fitting type	None

Dimension

Height	35.4 mm
Outer diameter, actuated	59 mm
Outer diameter	51.8 mm

Performance - lifting forces

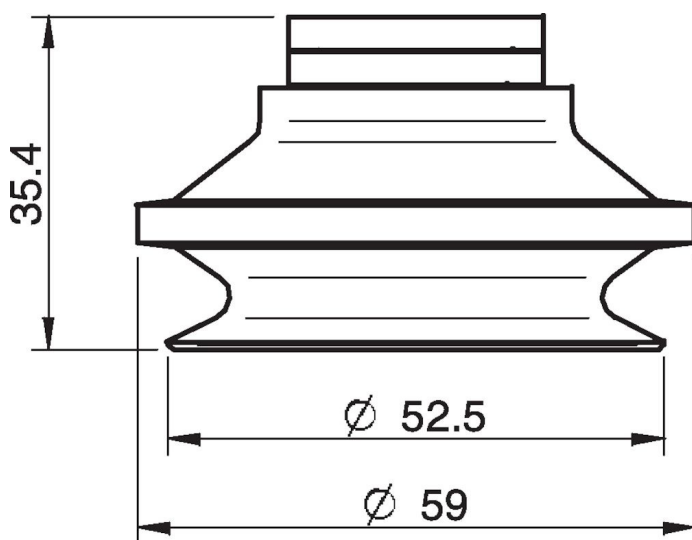
	B50-2		
20 -kPa		33 N	24.2 N
60 -kPa		65 N	51.2 N
90 -kPa		82 N	60.8 N

Material

Name	SIL
Colour	Red
Temperature	-40 - 200 °C
Hardness	50 °Shore A

	SIL
Alcohol	++
Concentrated acids	-
Ethanol	n/a
Hydrolysis	+
Methanol	n/a
Oil	-
Oxidation	+++
Petrol	-
Wear resistance	++
Weather and ozone	+++

Dimensional drawings



Values specified in the data sheet are tested at:

- Room temperature: (20°C [68°F] ± 3°C [5.5°F])
 - Standard atmosphere: (101.3 [29.9 inHg] ± 1.0 kPa [0.3 inHg])
 - Relative humidity: 0-100%
 - Compressed air quality: DIN ISO 8573-1 class 4
-

Accessories

3251014		Fitting 1/4" NPT male, with dual flow control valve
3250094		Fitting 1/4" NPT male, with mesh filter
3250017		Fitting 1/8" NPSF female, 50
3150198		Fitting 1/8" NPSF female, 50, PA
3251012		Fitting 1/8" NPSF female, 50, with dual flow control valve
0101154		Fitting 1/8" NPSF female, 50, with mesh filter
3251016		Fitting 3/8" NPT male, with dual flow control valve
3250090		Fitting 3/8" NPT male, with mesh filter
0100262		Fitting 5x1/8" NPSF female, 50
3251017		Fitting 5x1/8" NPSF female, 50, with dual flow control valve
3250092		Fitting G1/4" male, 50, with mesh filter
3251013		Fitting G1/4" male, with mesh filter and dual flow control valve
0200715		Fitting G1/8" male, 50, with mesh filter
3250087		Fitting G3/8" male, 50, with mesh filter
3251015		Fitting G3/8" male, 50, with mesh filter and dual flow control valve

Spare parts

0104655		Filter D=54, 20 pcs, for B50-2
---------	--	--------------------------------