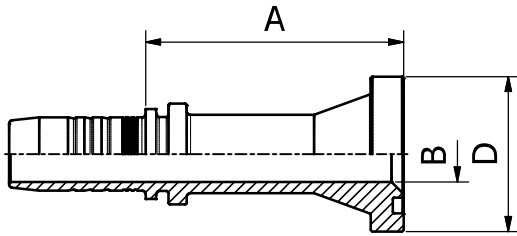


SAE STANDARD CONNECTIONS

# M23611



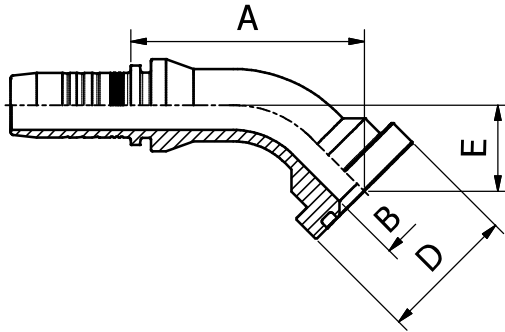
ISO/SAE CODE 62 FLANGE  
SAE J516 / ISO 12151-3

PART. REF.	HOSE BORE			FLANGE	DIMENSIONS mm					
	DN	Dash	inch	inch	B	A	D			
M23611-08-08	12	-8	1/2"	1/2"	9.3	52.0	31.8			
M23611-08-12	12	-8	1/2"	3/4"	15.0	68.5	41.5			
M23611-10-08	16	-10	5/8"	1/2"	9.3	52.0	31.8			
M23611-10-12	16	-10	5/8"	3/4"	15.0	70.0	41.5			
M23611-10-16	16	-10	5/8"	1"	20.0	80.0	47.7			
M23611-12-12	19	-12	3/4"	3/4"	15.0	69.0	41.5			
M23611-12-16	19	-12	3/4"	1"	20.0	81.0	47.7			
M23611-16-16	25	-16	1"	1"	19.8	82.5	47.7			
M23611-16-20	25	-16	1"	1.1/4"	26.0	90.0	54.2			
M23611-20-16	31	-20	1.1/4"	1"	19.8	82.5	47.7			
M23611-20-20	31	-20	1.1/4"	1.1/4"	26.0	84.5	54.2			
M23611-20-24	31	-20	1.1/4"	1.1/2"	32.0	90.5	63.7			
M23611-24-24	38	-24	1.1/2"	1.1/2"	32.0	92.5	63.6			
M23611-32-32	51	-32	2"	2"	42.0	109.0	79.5			

149 FITTINGS

SAE STANDARD CONNECTIONS

# M23641



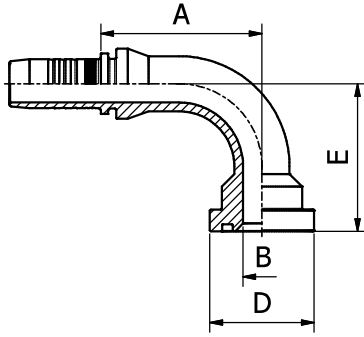
45° ISO/SAE CODE 62 FLANGE  
SAE J516 / ISO 12151-3

PART. REF.	HOSE BORE			FLANGE	DIMENSIONS mm						
	DN	Dash	inch	inch	B	A	D	E			
M23641-08-08	12	-8	1/2"	1/2"	9.3	59.0	31.7	19.0			
M23641-08-12	12	-8	1/2"	3/4"	15.0	68.0	41.5	27.5			
M23641-10-08	16	-10	5/8"	1/2"	9.3	62.5	31.8	23.5			
M23641-10-12	16	-10	5/8"	3/4"	15.0	67.5	41.5	31.0			
M23641-12-12	19	-12	3/4"	3/4"	15.0	72.5	41.5	28.0			
M23641-12-16	19	-12	3/4"	1"	20.0	77.0	47.7	32.5			
M23641-16-12	25	-16	1"	3/4"	15.0	80.0	41.5	30.0			
M23641-16-16	25	-16	1"	1"	19.8	83.5	47.7	32.5			
M23641-16-20	25	-16	1"	1.1/4"	26.0	88.5	54.2	37.5			
M23641-20-20	31	-20	1.1/4"	1.1/4"	26.0	95.0	54.2	37.5			
M23641-20-24	31	-20	1.1/4"	1.1/2"	32.0	102.5	63.7	45.0			
M23641-24-24	38	-24	1.1/2"	1.1/2"	32.0	118.0	63.7	44.0			
M23641-24-32	38	-24	1.1/2"	2"	42.0	129.0	79.6	55.5			
M23641-32-32	51	-32	2"	2"	42.0	151.5	79.6	60.5			
M23641-32-32056	51	-32	2"	2"	42.0	147.5	79.6	56.5			

SAE STANDARD CONNECTIONS

# M23691

90° ISO/SAE CODE 62 FLANGE  
SAE J516 / ISO 12151-3



FITTINGS

150

PART. REF.	HOSE BORE			FLANGE		DIMENSIONS mm							
	DN	Dash	inch	inch		B	A	C	H2				
M23691-08-08	12	-8	1/2"	1/2"		9.3	54.5	31.8	45.0				
M23691-08-08040	12	-8	1/2"	1/2"		9.3	54.5	31.7	41.0				
M23691-08-12	12	-8	1/2"	3/4"		15.0	54.5	41.5	53.0				
M23691-10-08	16	-10	5/8"	1/2"		9.3	57.5	31.8	45.0				
M23691-10-12	16	-10	5/8"	3/4"		15.0	53.5	41.5	60.5				
M23691-10-16	16	-10	5/8"	1"		19.8	56.0	47.7	64.0				
M23691-12-08	19	-12	3/4"	1/2"		9.3	60.6	31.8	57.5				
M23691-12-12	19	-12	3/4"	3/4"		15.0	64.0	41.5	59.0				
M23691-12-16	19	-12	3/4"	1"		20.0	64.5	47.7	65.0				
M23691-16-12	25	-16	1"	3/4"		15.0	74.5	41.5	67.0				
M23691-16-16	25	-16	1"	1"		19.8	73.5	47.7	68.0				
M23691-16-20	25	-16	1"	1.1/4"		26.0	73.5	54.2	75.0				
M23691-20-16	31	-20	1.1/4"	1"		19.8	82.5	47.7	68.0				
M23691-20-20	31	-20	1.1/4"	1.1/4"		26.0	85.5	54.2	81.0				
M23691-20-20090	31	-20	1.1/4"	1.1/4"		26.0	85.5	54.1	90.0				
M23691-20-24	31	-20	1.1/4"	1.1/2"		32.0	85.5	63.7	91.5				
M23691-24-20	38	-24	1.1/2"	1.1/4"		26.0	105.0	54.2	91.0				
M23691-24-24	38	-24	1.1/2"	1.1/2"		32.0	106.0	63.7	94.5				
M23691-24-24104	38	-24	1.1/2"	1.1/2"		32.0	106.0	63.7	104.0				
M23691-24-32	38	-24	1.1/2"	2"		42.0	106.0	79.6	110.5				
M23691-32-32	51	-32	2"	2"		42.0	138.0	79.6	132.0				
M23691-32-32138	51	-32	2"	2"		42.0	138.0	79.6	138.0				