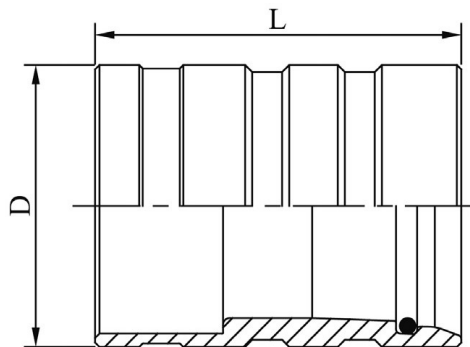


ACCESSORIES

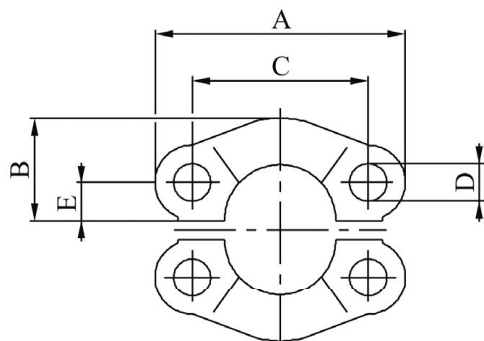
0820

ANTI-KINK SLEEVE



| PART. REF. | HOSE BORE |      |        | DIMENSIONS mm |  |       |       |  |  |  |  |
|------------|-----------|------|--------|---------------|--|-------|-------|--|--|--|--|
|            | DN        | Dash | inch   |               |  | D     | L     |  |  |  |  |
| O82040-12  | 19        | - 12 | 3/4"   |               |  | 45.0  | 67.0  |  |  |  |  |
| O82040-16  | 25        | - 16 | 1"     |               |  | 52.0  | 81.0  |  |  |  |  |
| O82068-16  | 25        | - 16 | 1"     |               |  | 55.0  | 75.0  |  |  |  |  |
| O82062-20  | 31        | - 20 | 1.1/4" |               |  | 64.0  | 83.0  |  |  |  |  |
| O82060-20  | 31        | - 20 | 1.1/4" |               |  | 64.0  | 84.0  |  |  |  |  |
| O82068-20  | 31        | - 20 | 1.1/4" |               |  | 65.5  | 83.0  |  |  |  |  |
| O82060-24  | 38        | - 24 | 1.1/2" |               |  | 72.0  | 102.0 |  |  |  |  |
| O82068-24  | 38        | - 24 | 1.1/2" |               |  | 73.0  | 99.0  |  |  |  |  |
| O82068-32  | 51        | - 32 | 2"     |               |  | 86.5  | 116.0 |  |  |  |  |
| O82068-40  | 63        | - 40 | 2.1/2" |               |  | 100.5 | 148.5 |  |  |  |  |
| O82068-48  | 76        | - 48 | 3"     |               |  | 112.0 | 158.0 |  |  |  |  |

FITTINGS 252



ACCESSORIES

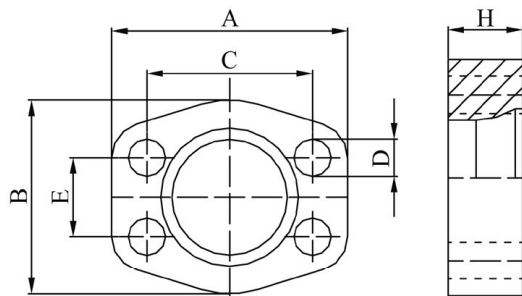
083308

ISO/SAE  
CODE 61 SPLIT FLANGE CLAMPS  
SAE J518 / ISO 6162-1

| PART. REF. | HOSE BORE |      |      | DIMENSIONS mm |       |        |       |       |  |
|------------|-----------|------|------|---------------|-------|--------|-------|-------|--|
|            | DN        | Dash | inch | B             | A     | C      | D     | E     |  |
| O83308-08  |           |      |      | 22.8          | 54.0  | 38.1   | 8.75  | 8.7   |  |
| O83308-12  |           |      |      | 25.9          | 65.0  | 47.6   | 10.75 | 11.1  |  |
| O83308-16  |           |      |      | 29.2          | 70.0  | 52.4   | 10.75 | 13.1  |  |
| O83308-20  |           |      |      | 36.3          | 79.0  | 58.7   | 12.0  | 15.1  |  |
| O83308-24  |           |      |      | 41.1          | 94.0  | 69.8   | 13.5  | 17.9  |  |
| O83308-32  |           |      |      | 48.2          | 102.0 | 77.8   | 13.5  | 21.4  |  |
| O83308-40  |           |      |      | 54.1          | 114.0 | 88.9   | 13.5  | 25.4  |  |
| O83308-48  |           |      |      | 65.3          | 135.0 | 106.4  | 16.75 | 31.0  |  |
| O83308-56  |           |      |      | 70.0          | 152.0 | 120.65 | 17.0  | 34.85 |  |
| O83308-64  |           |      |      | 75.0          | 160.0 | 130.18 | 17.0  | 38.9  |  |

ACCESSORIES

**088507**



**ONE-PIECE CODE 62 XTRAFRANGE CLAMP  
ISO 6162-2 / SAE J518  
PORT COMPATIBLE**

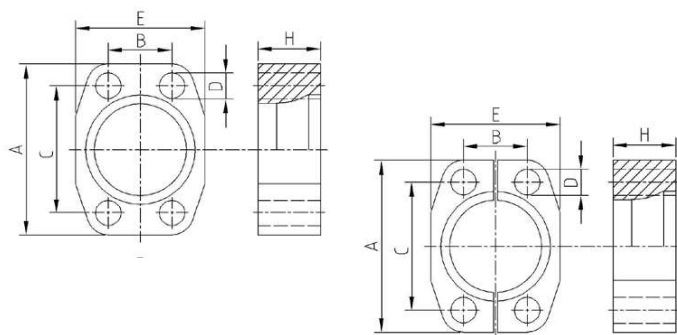
FITTINGS

254

| PART. REF. | HOSE BORE |      |      | DIMENSIONS mm |       |       |      |      |      |  |  |
|------------|-----------|------|------|---------------|-------|-------|------|------|------|--|--|
|            | DN        | Dash | inch | B             | A     | C     | D    | E    | H    |  |  |
| O88507-12  |           |      |      | 60.0          | 71.5  | 50.8  | 11.0 | 23.8 | 21.5 |  |  |
| O88507-16  |           |      |      | 66.7          | 80.0  | 57.2  | 13.0 | 27.8 | 24.0 |  |  |
| O88507-20  |           |      |      | 78.0          | 95.0  | 66.7  | 15.0 | 31.7 | 30.0 |  |  |
| O88507-24  |           |      |      | 94.0          | 112.0 | 79.4  | 17.0 | 36.5 | 36.0 |  |  |
| O88507-32  |           |      |      | 114.0         | 133.0 | 96.8  | 21.0 | 44.5 | 47.0 |  |  |
| O88507-40  |           |      |      | 150.0         | 180.0 | 123.8 | 26.0 | 58.8 | 55.0 |  |  |
| O88507-48  |           |      |      | 176.0         | 210.3 | 152.4 | 31.0 | 71.4 | 60.0 |  |  |

ACCESSORIES

**088407**



**ONE-PIECE XTRAFRANGE 61 CLAMP /  
SPLIT XTRAFRANGE/61 CLAMP**

| PART. REF. | HOSE BORE |      |      | Flange | DIMENSIONS mm |       |      |      |       |      |  |  |
|------------|-----------|------|------|--------|---------------|-------|------|------|-------|------|--|--|
|            | DN        | Dash | inch | inch   | B             | A     | C    | D    | E     | H    |  |  |
| O88407-16  |           |      |      | 1"     | 26.2          | 70.5  | 52.4 | 10.6 | 53.0  | 25.7 |  |  |
| O88407-20  |           |      |      | 1.1/4" | 30.2          | 80.0  | 58.7 | 12.0 | 64.0  | 26.8 |  |  |
| O88407-24  |           |      |      | 1.1/2" | 35.7          | 94.0  | 69.9 | 13.3 | 77.0  | 33.6 |  |  |
| O88407-32  |           |      |      | 2"     | 42.9          | 102.0 | 77.8 | 13.3 | 88.0  | 35.0 |  |  |
| O88407-40  |           |      |      | 2.1/2" | 50.8          | 114.0 | 88.9 | 13.3 | 102.0 | 44.3 |  |  |

O88407-32 and O88407-40: Split XtraFlange/61 Clamp