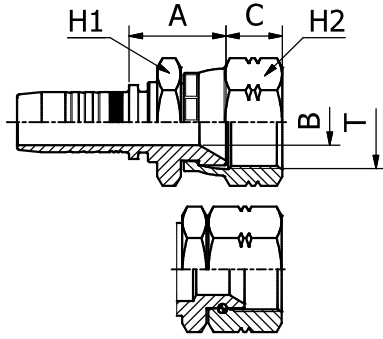


JIS STANDARD CONNECTIONS

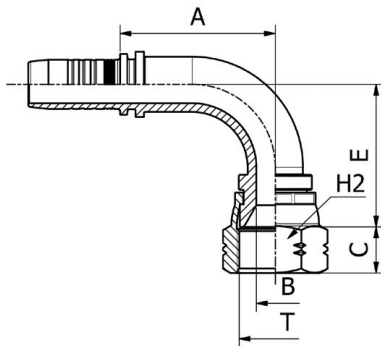
# M24011/M24012

JIS METRIC FEMALE 60° CONE SEAT  
(KOMATSU) JIS B 8363



PART. REF.	HOSE BORE			Thread	T	DIMENSIONS mm				
	DN	Dash	inch			B	A	C	H1	H2
M24011-04-14	6	- 4	1/4"	M 14X1.5	4.0	23.0	10.5	19.0	19.0	
M24011-04-18	6	- 4	1/4"	M 18X1.5	7.0	22.5	11.5	24.0	24.0	
M24011-05-16	8	- 5	5/16"	M 16X1.5	5.5	22.5	9.3	21.0	21.0	
M24011-06-14	10	- 6	3/8"	M 14X1.5	4.0	23.5	10.5	19.0	19.0	
M24011-06-18	10	- 6	3/8"	M 18X1.5	7.0	23.5	11.5	24.0	24.0	
M24011-08-22	12	- 8	1/2"	M 22X1.5	9.3	25.0	13.0	27.0	27.0	
M24011-10-24	16	- 10	5/8"	M 24X1.5	12.5	26.5	15.1	32.0	32.0	
M24011-12-30	19	- 12	3/4"	M 30X1.5	15.0	31.5	18.3	36.0	36.0	
M24011-16-33	25	- 16	1"	M 33X1.5	19.8	33.5	21.3	41.0	41.0	
M24011-20-36	31	- 20	1.1/4"	M 36X1.5	19.8	41.0	20.0	46.0	46.0	
M24012-24-42	38	- 24	1.1/2"	M 42X1.5	26.0	44.0	18.8	55.0	55.0	

167 FITTINGS



JIS STANDARD CONNECTIONS

# M24091

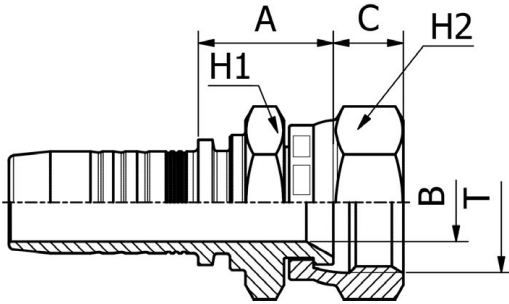
90° JIS METRIC FEMALE 60° CONE SEAT

PART. REF.	HOSE BORE			Thread	T	DIMENSIONS mm				
	DN	Dash	inch			B	A	C	E	H2
M24091-04-14	6	- 4	1/4"	M 14X1.5	4.0	29.0	10.5	28.5	19.0	
M24091-06-18	10	- 6	3/8"	M 18X1.5	7.0	35.5	11.5	34.0	24.0	
M24091-08-22	12	- 8	1/2"	M 22X1.5	9.3	44.0	13.0	40.0	27.0	
M24091-10-24	16	- 10	5/8"	M 24X1.5	12.5	53.5	15.2	47.0	32.0	
M24091-12-30	19	- 12	3/4"	M 30X1.5	15.0	61.5	18.3	56.5	36.0	

JIS STANDARD CONNECTIONS

# M23811

**JIS BSP FEMALE 60° CONE SEAT  
(TOYOTA) - JIS B 8363  
(CRIMPED-BACK NUT)**



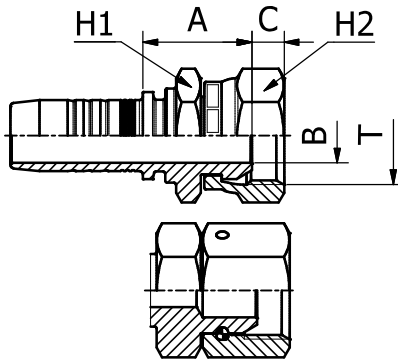
PART. REF.	HOSE BORE			Thread	DIMENSIONS mm						
	DN	Dash	inch		T	B	A	C	H1	H2	
M23811-04-04	6	- 4	1/4"	1/4" - 19	4.0	18.5	8.3	19.0	19.0		
M23811-06-06	10	- 6	3/8"	3/8" - 19	7.0	23.0	10.0	22.0	22.0		
M23811-08-08	12	- 8	1/2"	1/2" - 14	9.3	22.0	11.5	27.0	27.0		
M23811-12-12	19	- 12	3/4"	3/4" - 14	15.0	26.0	13.5	32.0	32.0		
M23811-16-16	25	- 16	1"	1" - 11	19.8	30.5	14.5	38.0	38.0		

FITTINGS 168

JIS STANDARD CONNECTIONS

# M20711/M20712

**JIS BSP FEMALE 60° CONE  
(NISSAN) - JIS B 8363**



PART. REF.	HOSE BORE			Thread	DIMENSIONS mm						
	DN	Dash	inch		T	B	A	C	H1	H2	
M20711-04-04	6	- 4	1/4"	1/4" - 19	4.0	22.5	4.5	19.0	19.0		
M20711-06-06	10	- 6	3/8"	3/8" - 19	7.0	24.5	6.4	22.0	22.0		
M20711-08-08	12	- 8	1/2"	1/2" - 14	9.3	26.5	6.7	27.0	27.0		
M20711-12-12	19	- 12	3/4"	3/4" - 14	15.0	30.0	8.9	32.0	32.0		
M20712-10-08	16	- 10	5/8"	1/2" - 14	9.3	29.0	6.5	27.0	27.0		
M20712-10-12	16	- 10	5/8"	3/4" - 14	15.0	30.5	9.0	32.0	32.0		
M20712-16-16	25	- 16	1"	1" - 11	19.8	35.5	10.5	38.0	38.0		
M20712-20-20	31	- 20	1.1/4"	1.1/4" - 11	26.0	44.5	12.5	50.0	50.0		