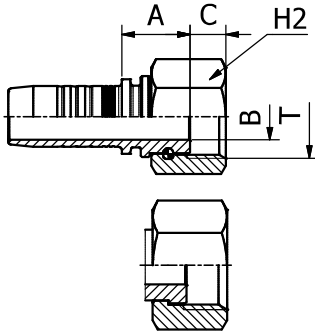


BS STANDARD CONNECTIONS

# M20612/M20613

BSP FEMALE FLAT SEAT



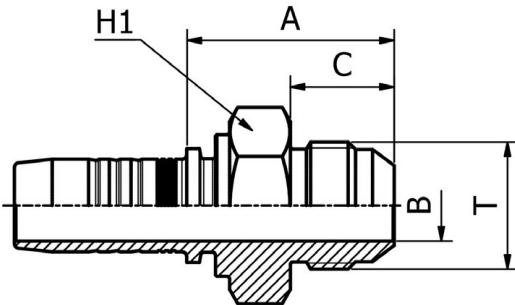
FITTINGS 126

PART. REF.	HOSE BORE			Thread	DIMENSIONS mm							
	DN	Dash	inch		T	B	A	C	H2			
M20612-08-12	12	- 8	1/2"	3/4" - 14		15.0	21.0	11.5	32.0			
M20612-10-12	16	- 10	5/8"	3/4" - 14		15.0	20.5	11.5	32.0			
M20612-12-12	19	- 12	3/4"	3/4" - 14		15.0	22.0	11.5	32.0			
M20612-12-16	19	- 12	3/4"	1" - 11		19.8	23.5	13.0	38.0			
M20612-16-16	25	- 16	1"	1" - 11		19.8	25.0	13.0	38.0			
M20612-20-20	31	- 20	1.1/4"	1.1/4" - 11		26.0	26.0	15.0	50.0			
M20613-04-04	6	- 4	1/4"	1/4" - 19		4.0	14.5	7.9	19.0			
M20613-05-06	8	- 5	5/16"	3/8" - 19		7.0	16.0	9.0	22.0			
M20613-06-06	10	- 6	3/8"	3/8" - 19		7.0	16.5	9.0	22.0			
M20613-06-08	10	- 6	3/8"	1/2" - 14		9.3	17.5	9.8	27.0			
M20613-08-08	12	- 8	1/2"	1/2" - 14		9.3	18.0	9.8	27.0			

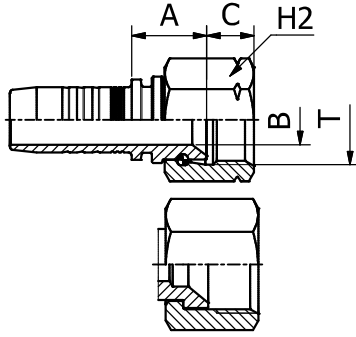
SAE STANDARD CONNECTIONS

# M12510

JIC MALE 37° CONE  
SAE J516 / ISO 12151-5



PART. REF.	HOSE BORE			Thread	DIMENSIONS mm							
	DN	Dash	inch		T	B	A	C	H1			
M12510-04-04	6	- 4	1/4"	7/16" - 20		4.0	28.0	14.0	12.0			
M12510-04-05	6	- 4	1/4"	1/2" - 20		5.5	29.0	14.0	14.0			
M12510-04-06	6	- 4	1/4"	9/16" - 18		7.0	29.0	14.0	17.0			
M12510-05-04	8	- 5	5/16"	7/16" - 20		4.0	29.0	14.0	14.0			
M12510-05-05	8	- 5	5/16"	1/2" - 20		5.5	29.0	14.0	14.0			
M12510-05-06	8	- 5	5/16"	9/16" - 18		7.0	29.0	14.0	17.0			
M12510-06-05	10	- 6	3/8"	1/2" - 20		5.5	29.5	14.0	17.0			
M12510-06-06	10	- 6	3/8"	9/16" - 18		7.0	29.5	14.0	17.0			
M12510-06-08	10	- 6	3/8"	3/4" - 16		9.3	34.0	16.5	19.0			
M12510-06-10	10	- 6	3/8"	7/8" - 14		12.5	38.5	19.5	24.0			
M12510-08-06	12	- 8	1/2"	9/16" - 18		7.0	32.0	14.0	19.0			
M12510-08-08	12	- 8	1/2"	3/4" - 16		9.3	34.5	16.5	19.0			
M12510-08-10	12	- 8	1/2"	7/8" - 14		12.5	39.0	19.5	24.0			
M12510-08-12	12	- 8	1/2"	1.1/16" - 12		15.0	43.0	22.0	27.0			
M12510-10-10	16	- 10	5/8"	7/8" - 14		12.5	39.0	19.5	24.0			
M12510-10-12	16	- 10	5/8"	1.1/16" - 12		15.0	42.5	22.0	27.0			
M12510-12-10	19	- 12	3/4"	7/8" - 14		12.5	41.5	19.5	27.0			
M12510-12-12	19	- 12	3/4"	1.1/16" - 12		15.0	44.0	22.0	27.0			
M12510-12-14	19	- 12	3/4"	1.3/16" - 12		15.0	44.5	22.5	32.0			
M12510-12-16	19	- 12	3/4"	1.5/16" - 12		19.8	47.0	23.0	34.0			
M12510-16-12	25	- 16	1"	1.1/16" - 12		15.0	45.0	22.0	32.0			
M12510-16-16	25	- 16	1"	1.5/16" - 12		19.8	48.0	23.0	34.0			
M12510-16-20	25	- 16	1"	1.5/8" - 12		26.0	53.0	24.3	42.0			
M12510-20-20	31	- 20	1.1/4"	1.5/8" - 12		26.0	53.5	24.3	42.0			
M12510-20-24	31	- 20	1.1/4"	1.7/8" - 12		32.0	60.5	27.5	50.0			
M12510-24-24	38	- 24	1.1/2"	1.7/8" - 12		32.0	60.5	27.5	50.0			
M12510-32-32	51	- 32	2"	2.1/2" - 12		42.0	72.0	34.0	65.0			



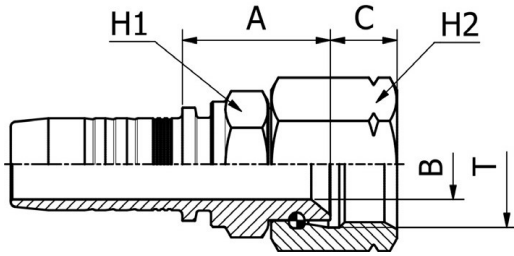
SAE STANDARD CONNECTIONS

# M22512/M22513

JIC FEMALE 37° CONE SEAT  
SAE J516 / ISO 12151-5

PART. REF.	HOSE BORE			Thread		DIMENSIONS mm						
	DN	Dash	inch			T	B	A	C			
M22512-03-05	5	- 3	3/16"	1/2" - 20		4.0	15.5	9.1	17.0			
M22512-04-04	6	- 4	1/4"	7/16" - 20		4.0	15.5	8.7	17.0			
M22512-04-05	6	- 4	1/4"	1/2" - 20		4.0	16.0	9.1	17.0			
M22512-05-04	8	- 5	5/16"	7/16" - 20		4.0	15.5	8.7	17.0			
M22512-05-05	8	- 5	5/16"	1/2" - 20		5.5	16.0	9.1	17.0			
M22512-05-06	8	- 5	5/16"	9/16" - 18		7.0	15.5	9.2	19.0			
M22512-06-05	10	- 6	3/8"	1/2" - 20		5.5	16.5	9.1	17.0			
M22512-06-06	10	- 6	3/8"	9/16" - 18		7.0	16.0	9.2	19.0			
M22512-08-08	12	- 8	1/2"	3/4" - 16		9.3	20.0	10.2	22.0			
M22512-10-10	16	- 10	5/8"	7/8" - 14		12.5	20.0	12.3	27.0			
M22512-12-08	19	- 12	3/4"	3/4" - 16		9.3	21.5	10.2	22.0			
M22512-12-10	19	- 12	3/4"	7/8" - 14		12.5	21.5	12.3	27.0			
M22512-12-12	19	- 12	3/4"	1.1/16" - 12		15.0	22.5	14.2	32.0			
M22512-12-14	19	- 12	3/4"	1.3/16" - 12		15.0	23.0	14.3	36.0			
M22512-12-16	19	- 12	3/4"	1.5/16" - 12		19.8	23.0	15.0	38.0			
M22512-16-12	25	- 16	1"	1.1/16" - 12		15.0	23.5	14.2	32.0			
M22512-16-16	25	- 16	1"	1.5/16" - 12		19.8	24.0	15.0	38.0			
M22512-16-20	25	- 16	1"	1.5/8" - 12		26.0	30.0	16.2	50.0			
M22512-20-20	31	- 20	1.1/4"	1.5/8" - 12		26.0	30.0	16.2	50.0			
M22512-20-24	31	- 20	1.1/4"	1.7/8" - 12		32.0	35.0	18.8	60.0			
M22512-24-24	38	- 24	1.1/2"	1.7/8" - 12		32.0	35.0	18.8	60.0			
M22512-32-24	51	- 32	2"	1.7/8" - 12		32.0	37.0	18.8	60.0			
M22512-32-32	51	- 32	2"	2.1/2" - 12		44.0	35.5	24.0	75.0			
M22513-03-04	5	- 3	3/16"	7/16" - 20		3.0	15.0	8.0	15.0			
M22513-04-06	6	- 4	1/4"	9/16" - 18		4.0	16.5	9.8	19.0			
M22513-05-08	8	- 5	5/16"	3/4" - 16		5.5	17.0	10.1	22.0			
M22513-06-08	10	- 6	3/8"	3/4" - 16		7.0	17.5	10.1	22.0			
M22513-06-10	10	- 6	3/8"	7/8" - 14		9.3	18.0	12.4	27.0			
M22513-08-10	12	- 8	1/2"	7/8" - 14		9.3	18.5	12.4	27.0			
M22513-08-12	12	- 8	1/2"	1.1/16" - 12		12.5	22.0	14.1	32.0			
M22513-10-12	16	- 10	5/8"	1.1/16" - 12		12.5	21.5	14.1	32.0			

# M22712



**JIC FEMALE 37° CONE SEAT DOUBLE HEXAGON  
SAE J516 / ISO 12151-5 (THRUST-WIRE NUT)**

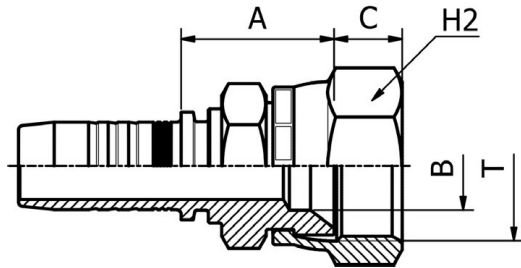
**FITTINGS 128**

PART. REF.	HOSE BORE			Thread	DIMENSIONS mm						
	DN	Dash	inch		T	B	A	C	H1	H2	
M22712-03-04	5	- 3	3/16"	7/16" - 20	4.0	20.5	8.7	12.0	17.0		
M22712-04-04	6	- 4	1/4"	7/16" - 20	4.0	21.0	8.7	12.0	17.0		
M22712-04-05	6	- 4	1/4"	1/2" - 20	4.0	21.5	9.1	12.0	17.0		
M22712-04-06	6	- 4	1/4"	9/16" - 18	7.0	24.0	9.2	14.0	19.0		
M22712-05-05	8	- 5	5/16"	1/2" - 20	5.5	21.5	9.1	14.0	17.0		
M22712-05-06	8	- 5	5/16"	9/16" - 18	7.0	24.0	9.2	14.0	19.0		
M22712-05-08	8	- 5	5/16"	3/4" - 16	9.3	26.0	10.2	19.0	22.0		
M22712-06-04	10	- 6	3/8"	7/16" - 20	4.0	24.5	8.7	17.0	17.0		
M22712-06-05	10	- 6	3/8"	1/2" - 20	5.5	25.0	9.1	17.0	17.0		
M22712-06-06	10	- 6	3/8"	9/16" - 18	7.0	24.5	9.2	17.0	19.0		
M22712-06-08	10	- 6	3/8"	3/4" - 16	9.3	27.0	10.2	19.0	22.0		
M22712-06-10	10	- 6	3/8"	7/8" - 14	12.5	28.0	12.3	22.0	27.0		
M22712-08-06	12	- 8	1/2"	9/16" - 18	7.0	24.5	9.2	19.0	19.0		
M22712-08-08	12	- 8	1/2"	3/4" - 16	9.3	27.5	10.2	19.0	22.0		
M22712-08-10	12	- 8	1/2"	7/8" - 14	12.5	28.5	12.3	22.0	27.0		
M22712-08-12	12	- 8	1/2"	1.1/16" - 12	14.0	30.0	14.2	27.0	32.0		
M22712-10-08	16	- 10	5/8"	3/4" - 16	9.3	28.5	10.2	22.0	22.0		
M22712-10-10	16	- 10	5/8"	7/8" - 14	12.5	28.5	12.3	22.0	27.0		
M22712-10-12	16	- 10	5/8"	1.1/16" - 12	15.0	30.0	14.2	27.0	32.0		
M22712-12-08	19	- 12	3/4"	3/4" - 16	9.3	30.0	10.2	27.0	22.0		
M22712-12-10	19	- 12	3/4"	7/8" - 14	12.5	30.0	12.3	27.0	27.0		
M22712-12-12	19	- 12	3/4"	1.1/16" - 12	15.0	31.5	14.2	27.0	32.0		
M22712-12-14	19	- 12	3/4"	1.3/16" - 12	15.0	33.0	14.3	30.0	36.0		
M22712-12-16	19	- 12	3/4"	1.5/16" - 12	19.8	32.5	15.0	32.0	38.0		
M22712-16-12	25	- 16	1"	1.1/16" - 12	12.5	34.0	14.2	32.0	32.0		
M22712-16-16	25	- 16	1"	1.5/16" - 12	19.8	34.5	15.0	32.0	38.0		
M22712-16-20	25	- 16	1"	1.5/8" - 12	26.0	43.0	16.2	41.0	50.0		
M22712-20-16	31	- 20	1.1/4"	1.5/16" - 12	19.8	36.0	15.0	38.0	38.0		
M22712-20-20	31	- 20	1.1/4"	1.5/8" - 12	26.0	43.5	16.2	41.0	50.0		
M22712-24-24	38	- 24	1.1/2"	1.7/8" - 12	32.0	51.0	18.8	50.0	60.0		
M22712-32-32	51	- 32	2"	2.1/2" - 12	44.0	51.5	24.0	65.0	75.0		

SAE STANDARD CONNECTIONS

# M22711/M22711KR

**JIC FEMALE**  
**37° CONE SEAT DOUBLE HEXAGON**  
**SAE J516 / ISO 12151-5**

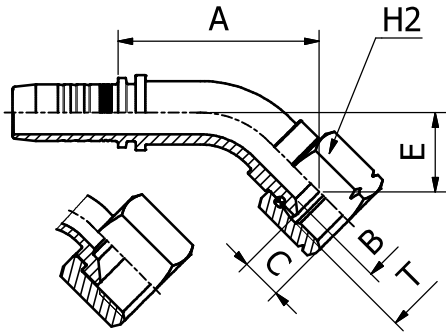


PART. REF.	HOSE BORE			Thread	DIMENSIONS mm							
	DN	Dash	inch		T	B	A	C	H1	H2		
M22711-12-16	19	- 12	3/4"	1.5/16" - 12		19.8	34.5	15.3	32.0	38.0		
M22711-16-16	25	- 16	1"	1.5/16" - 12		19.8	35.5	15.3	32.0	38.0		
M22711-20-20	31	- 20	1.1/4"	1.5/8" - 12		26.0	42.0	16.1	41.0	50.0		
M22711-24-24	38	- 24	1.1/2"	1.7/8" - 12		32.0	46.5	18.6	50.0	60.0		
M22711-32-32	51	- 32	2"	2.1/2" - 12		42.0	50.5	23.5	65.0	75.0		
M22711-04-04KR	6	- 4	1/4"	7/16" - 20		4.0	20.5	8.9	12.0	15.0		
M22711-04-05KR	6	- 4	1/4"	1/2" - 20		4.0	21.0	9.4	14.0	17.0		
M22711-04-06KR	6	- 4	1/4"	9/16" - 18		7.0	21.5	9.5	14.0	17.0		
M22711-06-04KR	10	- 6	3/8"	7/16" - 20		4.0	21.5	8.9	17.0	15.0		
M22711-06-05KR	10	- 6	3/8"	1/2" - 20		4.0	22.0	9.4	17.0	17.0		
M22711-06-06KR	10	- 6	3/8"	9/16" - 18		7.0	22.0	9.5	17.0	17.0		
M22711-06-08KR	10	- 6	3/8"	3/4" - 16		9.3	26.5	10.7	19.0	22.0		
M22711-08-08KR	12	- 8	1/2"	3/4" - 16		9.3	27.0	10.7	19.0	22.0		
M22711-08-10KR	12	- 8	1/2"	7/8" - 14		9.3	29.5	12.5	22.0	25.0		
M22711-08-12KR	12	- 8	1/2"	1.1/16" - 12		15.0	28.5	14.1	27.0	32.0		
M22711-10-08KR	16	- 10	5/8"	3/4" - 16		9.3	28.5	10.7	22.0	22.0		
M22711-10-10KR	16	- 10	5/8"	7/8" - 14		12.5	29.5	12.5	22.0	25.0		
M22711-10-12KR	16	- 10	5/8"	1.1/16" - 12		15.0	29.0	14.1	27.0	32.0		
M22711-12-08KR	19	- 12	3/4"	3/4" - 16		9.3	29.5	10.7	27.0	22.0		
M22711-12-10KR	19	- 12	3/4"	7/8" - 14		12.5	30.5	12.5	27.0	25.0		
M22711-12-12KR	19	- 12	3/4"	1.1/16" - 12		15.0	30.0	14.1	27.0	32.0		
M22711-16-12KR	25	- 16	1"	1.1/16" - 12		15.0	32.5	14.1	32.0	32.0		

SAE STANDARD CONNECTIONS

# M22542/M22543

45° JIC FEMALE SWEPT ELBOW  
37° CONE SEAT  
SAE J516 / ISO 12151-5



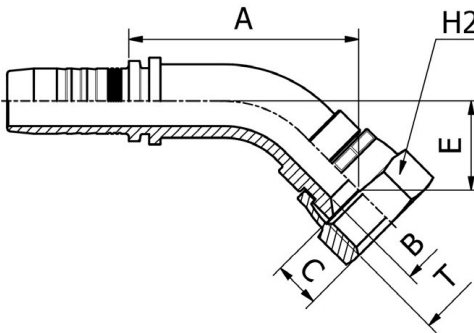
FITTINGS 130

PART. REF.	HOSE BORE			Thread	DIMENSIONS mm					
	DN	Dash	inch		T	B	A	C	E	H2
M22542-03-04	5	- 3	3/16"	7/16" - 20	4.0	35.0	8.7	14.5	17.0	
M22542-04-04	6	- 4	1/4"	7/16" - 20	4.0	35.5	8.7	14.5	17.0	
M22542-04-05	6	- 4	1/4"	1/2" - 20	4.0	35.5	9.1	14.5	17.0	
M22542-05-05	8	- 5	5/16"	1/2" - 20	5.5	37.5	9.1	14.0	17.0	
M22542-05-06	8	- 5	5/16"	9/16" - 18	7.0	38.0	9.2	14.5	19.0	
M22542-06-06	10	- 6	3/8"	9/16" - 18	7.0	42.0	9.2	16.5	19.0	
M22542-08-06	12	- 8	1/2"	9/16" - 18	7.0	43.0	9.2	16.5	19.0	
M22542-08-08	12	- 8	1/2"	3/4" - 16	9.3	52.0	10.2	20.0	22.0	
M22542-10-10	16	- 10	5/8"	7/8" - 14	12.5	62.0	12.3	25.5	27.0	
M22542-12-08	19	- 12	3/4"	3/4" - 16	9.3	53.5	10.2	20.0	22.0	
M22542-12-10	19	- 12	3/4"	7/8" - 14	12.5	63.5	12.3	25.0	27.0	
M22542-12-12	19	- 12	3/4"	1.1/16" - 12	15.0	70.0	14.2	27.5	32.0	
M22542-12-14	19	- 12	3/4"	1.3/16" - 12	15.0	69.5	14.3	27.5	36.0	
M22542-12-16	19	- 12	3/4"	1.5/16" - 12	19.8	70.0	15.0	27.5	38.0	
M22542-16-12	25	- 16	1"	1.1/16" - 12	15.0	72.5	14.2	27.5	32.0	
M22542-16-16	25	- 16	1"	1.5/16" - 12	19.8	84.0	15.0	32.0	38.0	
M22542-16-20	25	- 16	1"	1.5/8" - 12	26.0	90.0	16.2	36.0	50.0	
M22542-20-20	31	- 20	1.1/4"	1.5/8" - 12	26.0	103.5	16.2	41.5	50.0	
M22542-20-24	31	- 20	1.1/4"	1.7/8" - 12	32.0	106.5	18.8	44.5	60.0	
M22542-24-24	38	- 24	1.1/2"	1.7/8" - 12	32.0	119.0	18.8	46.5	60.0	
M22542-32-32	51	- 32	2"	2.1/2" - 12	44.0	163.0	24.0	68.0	75.0	
M22543-04-06	6	- 4	1/4"	9/16" - 18	4.0	35.5	9.8	14.0	19.0	
M22543-06-08	10	- 6	3/8"	3/4" - 16	7.0	41.0	10.1	14.0	22.0	
M22543-06-10	10	- 6	3/8"	7/8" - 14	9.3	42.5	12.4	15.5	27.0	
M22543-08-10	12	- 8	1/2"	7/8" - 14	9.3	49.5	12.4	17.0	27.0	
M22543-08-12	12	- 8	1/2"	1.1/16" - 12	12.5	49.5	14.1	17.0	32.0	
M22543-10-12	16	- 10	5/8"	1.1/16" - 12	12.5	60.0	14.1	24.0	32.0	

SAE STANDARD CONNECTIONS

# M22541KR

45° JIC FEMALE SWEPT ELBOW  
37° CONE SEAT  
SAE J516 / ISO 12151-5

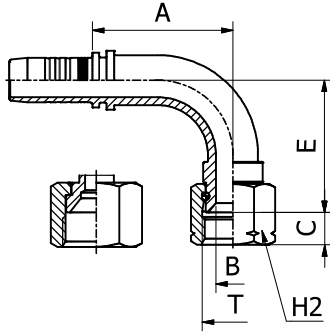


PART. REF.	HOSE BORE			Thread	DIMENSIONS mm					
	DN	Dash	inch		T	B	A	C	E	H2
M22541-04-04KR	6	- 4	1/4"	7/16" - 20	4.2	34.5	8.9	13.5	15.0	
M22541-04-05KR	6	- 4	1/4"	1/2" - 20	4.0	35.0	9.4	14.0	17.0	
M22541-06-06KR	10	- 6	3/8"	9/16" - 18	7.0	42.0	9.5	16.0	17.0	
M22541-08-08KR	12	- 8	1/2"	3/4" - 16	9.3	52.0	10.7	20.0	22.0	
M22541-10-10KR	16	- 10	5/8"	7/8" - 14	12.5	61.0	12.5	22.5	25.0	
M22541-12-12KR	19	- 12	3/4"	1.1/16" - 12	15.0	69.0	14.1	26.5	32.0	

SAE STANDARD CONNECTIONS

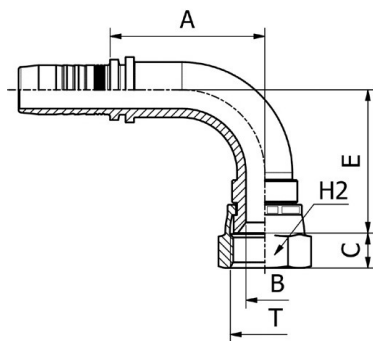
# M22592/M22593

90° JIC FEMALE SWEEP ELBOW 37° CONE SEAT  
SAE J516 / ISO 12151-5



PART. REF.	HOSE BORE			Thread	DIMENSIONS mm					
	DN	Dash	inch		T	B	A	C	E	H2
M22592-04-04	6	- 4	1/4"	7/16" - 20	4.0	28.5	8.7	27.0	17.0	
M22592-04-05	6	- 4	1/4"	1/2" - 20	4.0	28.5	9.1	27.5	17.0	
M22592-05-05	8	- 5	5/16"	1/2" - 20	5.5	31.0	9.1	28.0	17.0	
M22592-05-06	8	- 5	5/16"	9/16" - 18	7.0	31.0	9.2	28.5	19.0	
M22592-06-05	10	- 6	3/8"	1/2" - 20	5.5	30.0	9.1	26.5	17.0	
M22592-06-06	10	- 6	3/8"	9/16" - 18	7.0	35.5	9.2	32.5	19.0	
M22592-08-06	12	- 8	1/2"	9/16" - 18	7.0	37.0	9.2	33.0	19.0	
M22592-08-08	12	- 8	1/2"	3/4" - 16	9.3	44.0	10.2	41.0	22.0	
M22592-10-10	16	- 10	5/8"	7/8" - 14	12.5	53.5	12.3	52.5	27.0	
M22592-12-10	19	- 12	3/4"	7/8" - 14	12.5	55.0	12.3	52.5	27.0	
M22592-12-12	19	- 12	3/4"	1.1/16" - 12	15.0	62.0	14.2	58.0	32.0	
M22592-12-14	19	- 12	3/4"	1.3/16" - 12	15.0	63.0	14.3	58.0	36.0	
M22592-12-16	19	- 12	3/4"	1.5/16" - 12	19.8	63.0	15.0	57.5	38.0	
M22592-16-16	25	- 16	1"	1.5/16" - 12	19.8	77.0	15.0	68.5	38.0	
M22592-16-20	25	- 16	1"	1.5/8" - 12	26.0	77.5	16.2	74.5	50.0	
M22592-20-20	31	- 20	1.1/4"	1.5/8" - 12	26.0	90.5	16.2	86.5	50.0	
M22592-20-24	31	- 20	1.1/4"	1.7/8" - 12	32.0	90.5	18.8	90.5	60.0	
M22592-24-24	38	- 24	1.1/2"	1.7/8" - 12	32.0	108.0	18.8	100.5	60.0	
M22592-32-32	51	- 32	2"	2.1/2" - 12	44.0	142.0	24.0	137.0	75.0	
M22593-03-04	5	- 3	3/16"	7/16" - 20	3.0	26.0	8.5	23.5	15.0	
M22593-04-06	6	- 4	1/4"	9/16" - 18	4.0	29.5	9.8	28.0	19.0	
M22593-04-08	6	- 4	1/4"	3/4" - 16	7.0	29.5	10.0	30.5	22.0	
M22593-06-08	10	- 6	3/8"	3/4" - 16	7.0	36.5	10.1	29.5	22.0	
M22593-06-10	10	- 6	3/8"	7/8" - 14	9.3	36.5	12.4	31.5	27.0	
M22593-08-10	12	- 8	1/2"	7/8" - 14	9.3	45.0	12.4	36.0	27.0	
M22593-08-12	12	- 8	1/2"	1.1/16" - 12	12.5	45.0	14.1	36.0	32.0	
M22593-10-12	16	- 10	5/8"	1.1/16" - 12	12.5	51.5	14.1	50.0	32.0	

131 FITTINGS

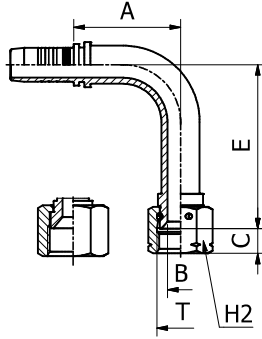


SAE STANDARD CONNECTIONS

# M22591KR

90° JIC FEMALE SWEEP ELBOW 37° CONE SEAT  
SAE J516 / ISO 12151-5

PART. REF.	HOSE BORE			Thread	DIMENSIONS mm					
	DN	Dash	inch		T	B	A	C	E	H2
M22591-04-04KR	6	- 4	1/4"	7/16" - 20	4.2	28.5	8.9	26.0	15.0	
M22591-04-05KR	6	- 4	1/4"	1/2" - 20	4.0	28.5	9.4	26.5	17.0	
M22591-06-06KR	10	- 6	3/8"	9/16" - 18	7.0	35.5	9.5	32.0	17.0	
M22591-08-08KR	12	- 8	1/2"	3/4" - 16	9.3	44.0	10.7	40.5	22.0	
M22591-10-10KR	16	- 10	5/8"	7/8" - 14	12.5	53.5	12.5	47.0	25.0	
M22591-12-12KR	19	- 12	3/4"	1.1/16" - 12	15.0	62.0	14.1	57.0	32.0	
M22591-16-12KR	25	- 16	1"	1.1/16" - 12	15.0	62.0	14.1	57.0	32.0	



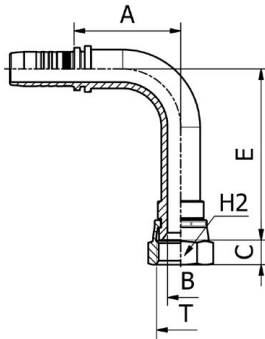
SAE STANDARD CONNECTIONS

# M24792/M24793

**90° JIC FEMALE LONG DROP ELBOW  
37° CONE SEAT  
SAE J516 / ISO 12151-5**

**FITTINGS 132**

PART. REF.	HOSE BORE			Thread	DIMENSIONS mm						
	DN	Dash	inch		T	B	A	C	E	H2	
M24792-04-04	6	- 4	1/4"	7/16" - 20	4.0	28.5	8.7	45.0	17.0		
M24792-04-05	6	- 4	1/4"	1/2" - 20	4.0	28.5	9.1	45.0	17.0		
M24792-06-06	10	- 6	3/8"	9/16" - 18	7.0	35.5	9.2	55.0	19.0		
M24792-08-08	12	- 8	1/2"	3/4" - 16	9.3	44.0	10.2	61.0	22.0		
M24792-10-10	16	- 10	5/8"	7/8" - 14	12.5	53.5	12.3	65.5	27.0		
M24792-12-12	19	- 12	3/4"	1.1/16" - 12	15.0	62.0	14.2	94.5	32.0		
M24792-16-16	25	- 16	1"	1.5/16" - 12	19.8	77.5	15.0	110.0	38.0		
M24792-20-20	31	- 20	1.1/4"	1.5/8" - 12	26.0	90.5	16.2	129.0	50.0		
M24793-04-06	6	- 4	1/4"	9/16" - 18	4.0	29.5	9.8	55.5	19.0		
M24793-06-08	10	- 6	3/8"	3/4" - 16	7.0	36.5	10.1	61.5	22.0		
M24793-08-10	12	- 8	1/2"	7/8" - 14	9.3	45.0	12.4	65.0	27.0		

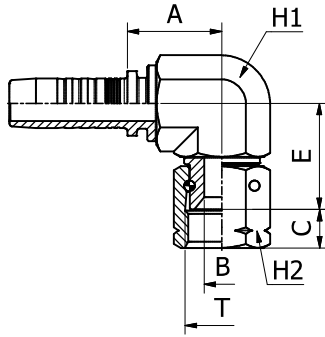


SAE STANDARD CONNECTIONS

# M24791KR

**90° JIC FEMALE LONG DROP ELBOW  
37° CONE SEAT  
SAE J516 / ISO 12151-5**

PART. REF.	HOSE BORE			Thread	DIMENSIONS mm						
	DN	Dash	inch		T	B	A	C	E	H2	
M24791-04-04KR	6	- 4	1/4"	7/16" - 20	4.2	28.5	8.9	45.0	15.0		
M24791-06-06KR	10	- 6	3/8"	9/16" - 18	7.0	35.5	9.5	55.0	17.0		
M24791-08-08KR	12	- 8	1/2"	3/4" - 16	9.3	44.0	10.7	64.0	22.0		
M24791-10-10KR	16	- 10	5/8"	7/8" - 14	12.5	53.5	12.5	70.0	25.0		
M24791-12-12KR	19	- 12	3/4"	1.1/16" - 12	15.0	62.0	14.1	96.0	32.0		



SAE STANDARD CONNECTIONS

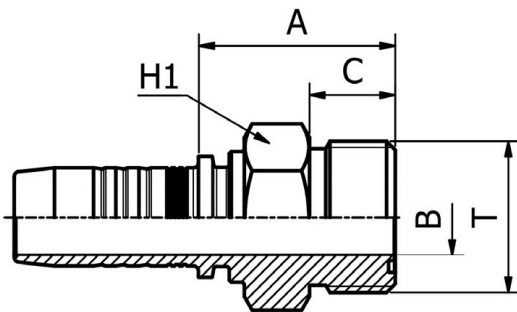
# M22582F

90° JIC FEMALE COMPACT ELBOW  
37° CONE SEAT

SAE J516 / ISO 12151-5 (THRUST-WIRE NUT)

PART. REF.	HOSE BORE			Thread	DIMENSIONS mm						
	DN	Dash	inch		T	B	A	C	E	H1	H2
M22582-04-04F	6	- 4	1/4"	7/16" - 20	4.0	20.0	8.7	20.5	14.0	17.0	
M22582-04-06F	6	- 4	1/4"	9/16" - 18	7.0	20.0	9.2	21.5	14.0	19.0	
M22582-06-06F	10	- 6	3/8"	9/16" - 18	7.0	23.0	9.2	24.0	19.0	19.0	
M22582-06-08F	10	- 6	3/8"	3/4" - 16	9.3	26.5	10.2	28.0	22.0	22.0	
M22582-08-08F	12	- 8	1/2"	3/4" - 16	9.3	25.0	10.2	28.0	22.0	22.0	
M22582-08-10F	12	- 8	1/2"	7/8" - 14	12.5	25.0	12.3	29.0	22.0	27.0	
M22582-12-12F	19	- 12	3/4"	1.1/16" - 12	15.0	37.5	14.2	33.0	27.0	32.0	
M22582-16-16F	25	- 16	1"	1.5/16" - 12	20.0	52.0	15.0	40.0	36.0	38.0	

133 FITTINGS



SAE STANDARD CONNECTIONS

# M12410

ORFS MALE  
SAE J516 / ISO 12151-1

PART. REF.	HOSE BORE			Thread	DIMENSIONS mm				
	DN	Dash	inch		T	B	A	C	H1
M12410-04-04	6	- 4	1/4"	9/16" - 18	4.0	24.0	9.8	16.0	
M12410-04-06	6	- 4	1/4"	11/16" - 16	6.7	26.5	11.2	19.0	
M12410-05-06	8	- 5	5/16"	11/16" - 16	6.7	27.0	11.2	19.0	
M12410-06-06	10	- 6	3/8"	11/16" - 16	6.7	27.5	11.2	19.0	
M12410-06-08	10	- 6	3/8"	13/16" - 16	9.3	30.0	12.8	22.0	
M12410-08-06	12	- 8	1/2"	11/16" - 16	6.7	29.0	11.2	22.0	
M12410-08-08	12	- 8	1/2"	13/16" - 16	9.3	30.5	12.8	22.0	
M12410-08-10	12	- 8	1/2"	1" - 14	12.5	35.0	15.5	27.0	
M12410-08-12	12	- 8	1/2"	1.3/16" - 12	15.0	37.5	17.0	32.0	
M12410-10-08	16	- 10	5/8"	13/16" - 16	9.3	30.5	12.8	22.0	
M12410-10-10	16	- 10	5/8"	1" - 14	12.5	34.5	15.5	27.0	
M12410-10-12	16	- 10	5/8"	1.3/16" - 12	15.0	37.5	17.0	32.0	
M12410-12-12	19	- 12	3/4"	1.3/16" - 12	15.0	39.0	17.0	32.0	
M12410-12-16	19	- 12	3/4"	1.7/16" - 12	19.8	40.5	17.5	38.0	
M12410-16-16	25	- 16	1"	1.7/16" - 12	19.8	42.0	17.5	38.0	
M12410-16-20	25	- 16	1"	1.11/16" - 12	26.0	44.0	17.5	46.0	
M12410-20-20	31	- 20	1.1/4"	1.11/16" - 12	26.0	46.5	17.5	46.0	
M12410-24-24	38	- 24	1.1/2"	2" - 12	32.0	48.5	17.5	55.0	