



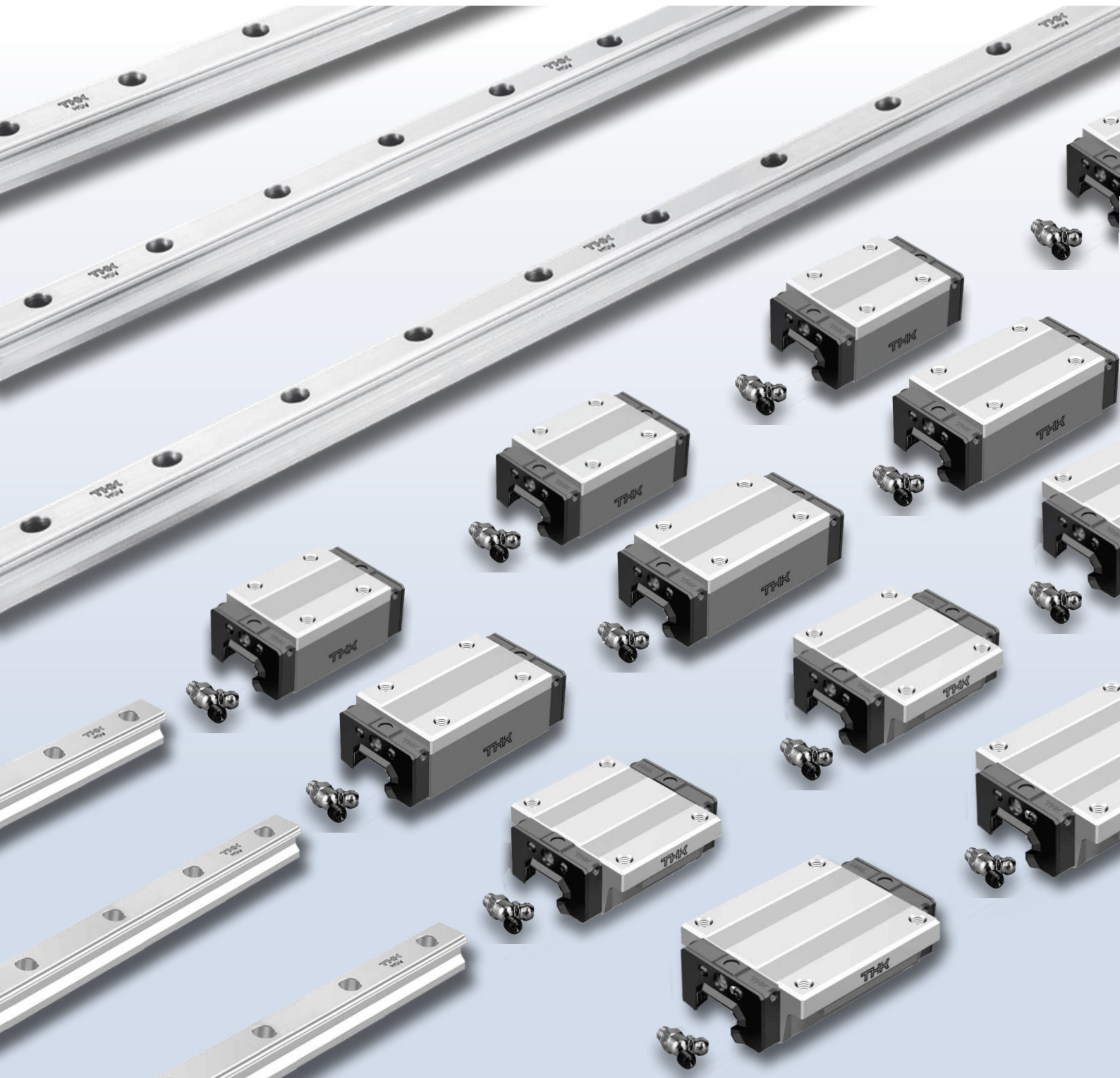
Standard Stock Products

Freedom to mix and match, Redesigned for even higher performance

Added Long block model

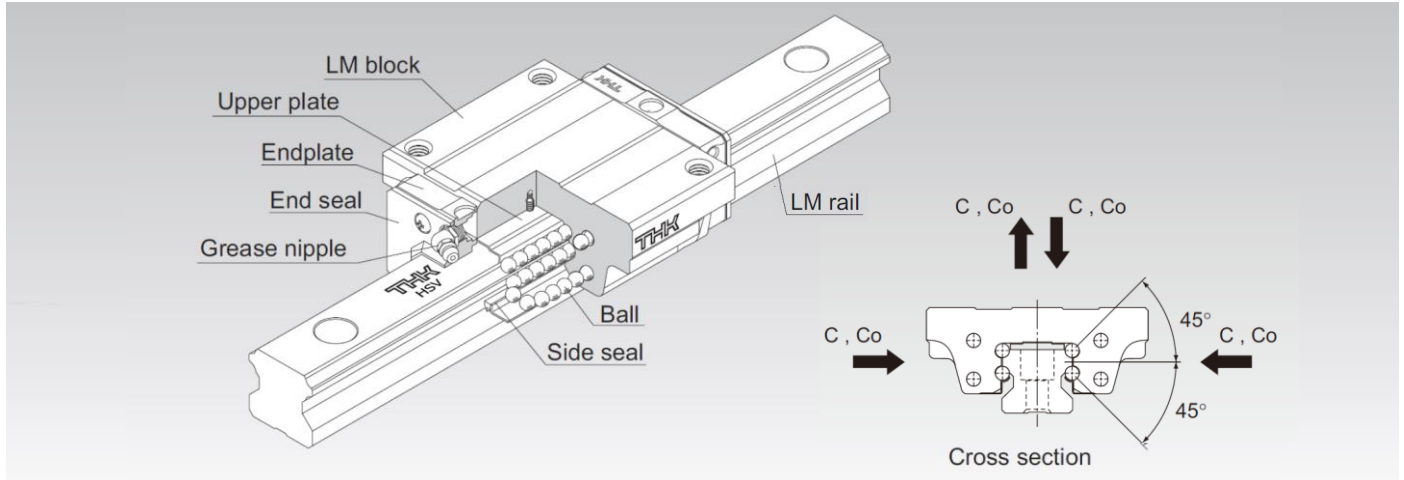
Linear Motion Guide

Model **HSV**



Structure and Features

- 4-way Equal Load
- Practically a global standard size
- Heavy load, high rigidity
- Superb capability of absorbing mounting error



HSV-C	HSV-LC	HSV-R	HSV-LR
The flange of the LM block has tapped holes. Can be mounted from the top or the bottom. Used in places where the table cannot have through holes for mounting bolts.	The LM block has the same cross-sectional shape as model HSV-C, but has a longer overall LM block length (L) and a greater rated load.	With this type, the LM block has a smaller width(W) and tapped holes. Used in places where the space for table width is limited.	The LM block has the same cross-sectional shape as model HSV-R, but has a longer overall LM block length (L) and a greater rated load.

Basic Load Rating

Model No.	Basic load rating		Static permissible moment kN-m *				
	C kN	C ₀ kN	M _A		M _B		M _C
			1 block	2 blocks	1 block	2 blocks	1 block
HSV15C/R	10.9	15.7	0.0945	0.527	0.0945	0.527	0.0998
HSV15LC/LR	14.2	22.9	0.194	0.984	0.194	0.984	0.145
HSV20C/R	19.8	27.4	0.218	1.2	0.218	1.2	0.235
HSV20LC/LR	23.9	35.8	0.363	1.87	0.363	1.87	0.307
HSV25C/R	27.6	36.4	0.324	1.8	0.324	1.8	0.366
HSV25LC/LR	35.2	51.6	0.627	3.04	0.627	3.04	0.518
HSV30C/R	40.5	53.7	0.599	3.1	0.599	3.1	0.652
HSV30LC/LR	48.9	70.2	0.995	4.89	0.995	4.89	0.852
HSV35C/R	53.9	70.2	0.895	4.51	0.895	4.51	1.05
HSV35LC/LR	65	91.7	1.49	7.13	1.49	7.13	1.37
HSV45C/R	82.2	101	1.5	8.37	1.5	8.37	1.94
HSV45LC/LR	100	135	2.59	13.4	2.59	13.4	2.6

Note) Static permissible moment *

1 block: static permissible moment value with 1 LM block

2 blocks: static permissible moment value with 2 blocks closely contacting with each other

Model Number Coding

※Please contact the LM rail length you need to your dealer.

Block : HSV35 LC 1 SS BLOCK

Block symbol

Seal symbol (Only : SS)

Type of LM block (C / LC / R / LR)

Model No. (HSV15, 20, 25, 30, 35, 45)

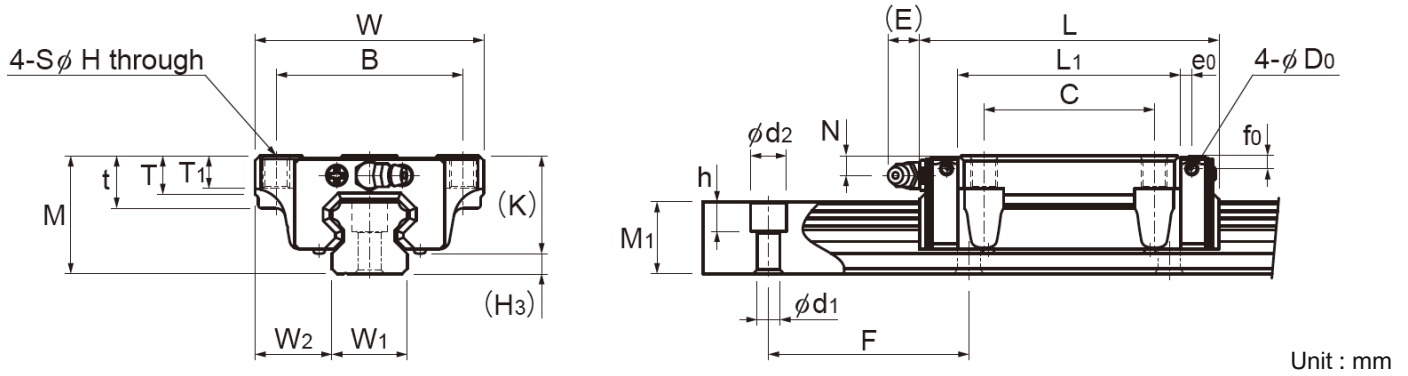
Rail : HSV35 - 3000L RAIL

Rail symbol

LM rail length (in mm)

Model No. (HSV15, 20, 25, 30, 35, 45)

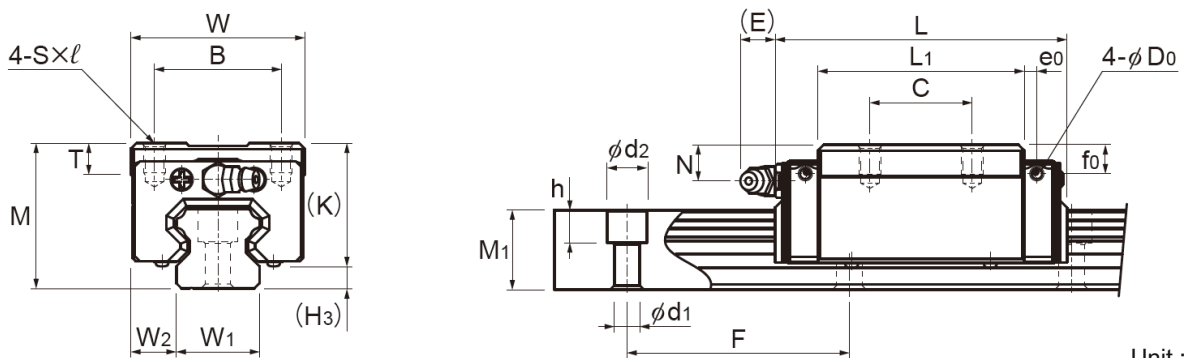
HSV-C/LC dimensions



Unit : mm

Model No.	Outer dimensions			LM block dimensions												Pilot hole for side nipple			H ₃	Mass kg	
	Height M	Width W _{0-0.05}	Length L	W ₂	B	C	S	H	L ₁	t	T	T ₁	K	N	E	Grease Nipple	e ₀	f ₀			D ₀
HSV15C	24	47	56.6	16	38	30	M5	4.5	38.8	11	7	7	19.3	4.3	5.5	PB1021B	3.2	3.9	3	4.7	0.2
HSV15LC	24	47	74.6	16	38	30	M5	4.5	56.8	11	7	7	19.3	4.3	5.5	B-M6F	3.2	3.9	3	4.7	0.29
HSV20C	30	63	74	21.5	53	40	M6	5.4	50.8	10	9.5	10	26	5	12	B-M6F	3.1	3.4	3	4	0.35
HSV20LC	30	63	90	21.5	53	40	M6	5.4	66.8	10	9.5	10	26	5	12	B-M6F	3.1	3.4	3	4	0.47
HSV25C	36	70	83.1	23.5	57	45	M8	6.8	59.5	16	11	10	30.5	6	12	B-M6F	3.5	4	3	5.5	0.59
HSV25LC	36	70	102.2	23.5	57	45	M8	6.8	78.6	16	11	10	30.5	6	12	B-M6F	3.5	4	3	5.5	0.75
HSV30C	42	90	98	31	72	52	M10	8.5	70.4	18	9	10	35	7	12	B-M6F	5.2	6.2	5.2	7	1.1
HSV30LC	42	90	120.6	31	72	52	M10	8.5	93	18	9	10	35	7	12	B-M6F	5.2	6.2	5.2	7	1.3
HSV35C	48	100	109.4	33	82	62	M10	8.5	80.4	21	12	13	40.5	8	12	B-M6F	5.5	5.6	5.2	7.5	1.6
HSV35LC	48	100	134.8	33	82	62	M10	8.5	105.8	21	12	13	40.5	8	12	B-M6F	5.5	5.6	5.2	7.5	2.0
HSV45C	60	120	139	37.5	100	80	M12	10.5	98	25	13	15	50	10	16	B-R1/8	6.1	6.6	5.2	10	2.8
HSV45LC	60	120	170.8	37.5	100	80	M12	10.5	129.8	25	13	15	50	10	16	B-R1/8	6.1	6.6	5.2	10	3.3

HSV-R/LR dimensions



Unit : mm

Model No.	Outer dimensions			LM block dimensions										Pilot hole for side nipple			H ₃	Mass kg
	Height M	Width W _{0-0.05}	Length L	W ₂	B	C	S×ℓ	L ₁	T	K	N	E	Grease Nipple	e ₀	f ₀	D ₀		
HSV15R	28	34	56.6	9.5	26	26	M4×5	38.8	6	23.3	8.3	5.5	PB1021B	3.2	7.9	3	4.7	0.18
HSV15LR	28	34	74.6	9.5	26	34	M4×5	56.8	6	23.3	8.3	5.5	B-M6F	3.2	7.9	3	4.7	0.26
HSV20R	30	44	74	12	32	36	M5×6	50.8	8	26	5	12	B-M6F	3.1	3.4	3	4	0.25
HSV20LR	30	44	90	12	32	50	M5×6	66.8	8	26	5	12	B-M6F	3.1	3.4	3	4	0.35
HSV25R	40	48	83.1	12.5	35	35	M6×8	59.5	9	34.5	10	12	B-M6F	3.5	8	3	5.5	0.54
HSV25LR	40	48	102.2	12.5	35	50	M6×8	78.6	9	34.5	10	12	B-M6F	3.5	8	3	5.5	0.67
HSV30R	45	60	98	16	40	40	M8×10	70.4	9	38	10	12	B-M6F	5.2	9.2	5.2	7	0.9
HSV30LR	45	60	120.6	16	40	60	M8×10	93	9	38	10	12	B-M6F	5.2	9.2	5.2	7	1.1
HSV35R	55	70	109.4	18	50	50	M8×12	80.4	11.7	47.5	15	12	B-M6F	5.5	12.6	5.2	7.5	1.5
HSV35LR	55	70	134.8	18	50	72	M8×12	105.8	11.7	47.5	15	12	B-M6F	5.5	12.6	5.2	7.5	2.0
HSV45R	70	86	139	20.5	60	60	M10×17	98	15	60	20	16	B-R1/8	6.1	16.6	5.2	10	2.6
HSV45LR	70	86	170.8	20.5	60	80	M10×17	129.8	15	60	20	16	B-R1/8	6.1	16.6	5.2	10	3.1

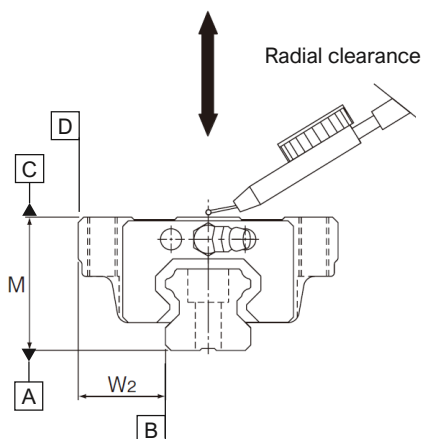
HSV LM rail dimensions

Unit : mm



Model No.	Width W ₁	Height M ₁	Pitch F	d ₁ ×d ₂ ×h	LM rail length (G,g)	Mass kg	
HSV15	15	15	60	4.5×7.5×5.3	3000 (20,40)	---	1.5
HSV20	20	18	60	6×9.5×8.5	3000 (20,40)	4540 (20,20)	2.3
HSV25	23	22	60	7×11×9	3000 (20,20)	4540 (20,20)	3.3
HSV30	28	26	80	9×14×12	3000 (20,20)	4520 (20,20)	4.8
HSV35	34	29	80	9×14×12	3000 (20,20)	4520 (20,20)	6.6
HSV45	45	38	105	14×20×17	3000 (20,40)	4560 (22.5,22.5)	11

Radial Clearance and Accuracy Standards



Radial clearance and Accuracy standards for model HSV

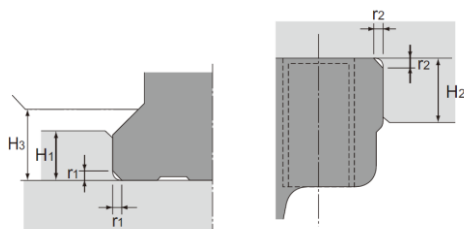
Unit : mm

Model No.	Radial clearance (μm)	Height M			Width W ₂		Running parallelism of surface C(D) against surface A(B)	
		Dimensional tolerance	Difference	Difference (Many rail use)	Dimensional tolerance	Difference	3000L to 3090L	4520L to 4560L
HSV15	-4 to +2	±0.07	0.02	0.04	±0.06	0.02	0.021	---
HSV20	-5 to +2	±0.07	0.02	0.04	±0.06	0.02	0.021	0.024
HSV25	-6 to +3	±0.08	0.02	0.04	±0.07	0.025	0.021	0.024
HSV30	-7 to +4	±0.08	0.02	0.04	±0.07	0.025	0.021	0.024
HSV35	-8 to +4	±0.08	0.02	0.04	±0.07	0.025	0.021	0.024
HSV45	-10 to +5	±0.08	0.025	0.05	±0.07	0.03	0.021	0.024

Shoulder Height of the Mounting Base and the Corner Radius

Normally, the mounting base for the LM rail and the LM block has a reference-surface on the side face of the shoulder of the base in order to allow easy installation and highly accurate positioning.

Unit : mm



Shoulder for the LM Rail

Shoulder for the LM Block

Model No.	Corner radius for the LM rail r ₁ (max)	Corner radius for the LM block r ₂ (max)	Shoulder height for the LM rail H ₁	Shoulder height for the LM block H ₂	H ₃
HSV15	0.5	0.5	3	4	4.7
HSV20	0.5	0.5	3.5	5	4
HSV25	1	1	5	5	5.5
HSV30	1	1	5	5	7
HSV35	1	1	6	6	7.5
HSV45	1	1	8	8	10

⚠ For the precautions on Using the LM Guide, see General Catalog or THK WEB SITE, respectively.

●“LM Guide” and “” are registered trademarks of THK CO., LTD.

- The actual products may differ from the pictures and photographs in this catalog.
- Outward appearances and specifications are subject to change without notice for the purpose of improvement. Please consult with THK before using.
- Although great care has been taken in the production of this catalog, THK will not take any responsibility for damage resulting from typographical errors or omissions.
- For exports of our products and technologies and sales for exports, our basic policy is to comply with the Foreign Exchange and Foreign Trade Act and other laws and regulation. Please consult us in advance if you want to export our products by the piece.

All rights reserved

THK CO., LTD.

Headquarters 2-12-10 Shibaura, Minato-ku, Tokyo 108-8506 Japan
 International Sales Department Phone: +81-3-5730-3860
www.thk.com



Please check our website for more details

tech.thk.com

THK GmbH

- European Headquarters.....Phone: +49-2102-7425-555
- Düsseldorf Office.....Phone: +49-2102-7425-0
- Stuttgart Office.....Phone: +49-7141-4988-500
- U.K. Office.....Phone: +44-1384-471550
- Italy Office.....Phone: +39-02-9901-1801
- Sweden Office.....Phone: +46-8-445-7630
- Austria Office.....Phone: +43-7229-51400
- Spain Office.....Phone: +34-93-652-5740
- Turkey Office.....Phone: +90-216-362-4050
- Prague Office.....Phone: +420-2-41025-100
- Moscow Office.....Phone: +7-495-649-80-47
- THK Europe B.V.
- Eindhoven Office.....Phone: +31-40-290-9500
- THK France S.A.S.
- Paris Office.....Phone: +33-1-7425-3800

Dealer