

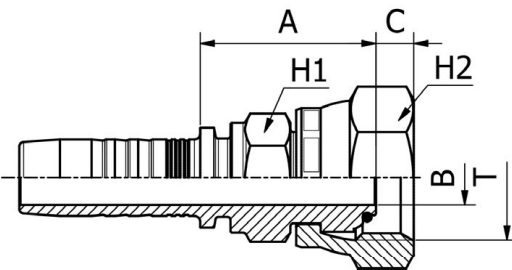
BS STANDARD CONNECTIONS

M20812/M20813

BSP O-RING FEMALE 60° CONE
BS5200 / ISO 12151-6

FITTINGS 122

PART. REF.	HOSE BORE			Thread	DIMENSIONS mm						
	DN	Dash	inch		T	B	A	C	H2		
M20812-06-04	10	- 6	3/8"	1/4" - 19	4.1	18.0	4.1	19.0			
M20812-10-10	16	- 10	5/8"	5/8" - 14	12.5	22.0	9.7	28.0			
M20812-12-12	19	- 12	3/4"	3/4" - 14	15.0	25.0	8.5	32.0			
M20812-16-12	25	- 16	1"	3/4" - 14	15.0	26.0	8.5	32.0			
M20812-16-16	25	- 16	1"	1" - 11	19.8	27.5	10.6	38.0			
M20812-16-20	25	- 16	1"	1.1/4" - 11	26.1	31.0	10.5	50.0			
M20812-20-16	31	- 20	1.1/4"	1" - 11	19.8	29.0	10.5	38.0			
M20812-20-20	31	- 20	1.1/4"	1.1/4" - 11	26.0	31.5	10.5	50.0			
M20812-20-24	31	- 20	1.1/4"	1.1/2" - 11	32.1	29.5	12.5	60.0			
M20812-24-20	38	- 24	1.1/2"	1.1/4" - 11	26.0	31.5	10.5	50.0			
M20812-24-24	38	- 24	1.1/2"	1.1/2" - 11	32.0	30.5	12.5	60.0			
M20812-24-32	38	- 24	1.1/2"	2" - 11	42.1	30.0	16.1	70.0			
M20812-32-32	51	- 32	2"	2" - 11	42.0	32.0	16.1	70.0			
M20813-03-04	5	- 3	3/16"	1/4" - 19	4.0	16.5	5.4	19.0			
M20813-04-04	6	- 4	1/4"	1/4" - 19	4.0	17.0	5.4	19.0			
M20813-04-06	6	- 4	1/4"	3/8" - 19	7.0	19.0	6.0	22.0			
M20813-06-06	10	- 6	3/8"	3/8" - 19	7.0	19.5	6.0	22.0			
M20813-06-08	10	- 6	3/8"	1/2" - 14	9.3	21.0	6.3	27.0			
M20813-08-08	12	- 8	1/2"	1/2" - 14	9.3	20.5	6.3	27.0			



BS STANDARD CONNECTIONS

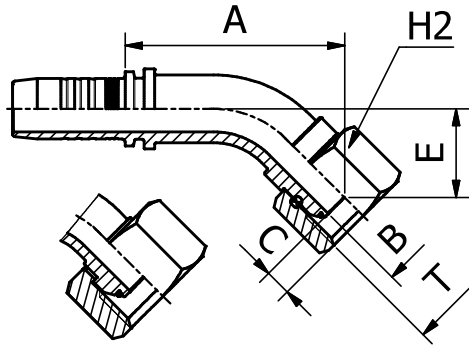
M20811HKR

BSP O-RING FEMALE 60° CONE
BS5200 / ISO 12151-6

PART. REF.	HOSE BORE			Thread	DIMENSIONS mm						
	DN	Dash	inch		T	B	A	C	H1	H2	
M20811-04-04H12KR	6	- 4	1/4"	1/4" - 19	4.0	25.0	5.2	12.0	19.0		
M20811-04-06H17KR	6	- 4	1/4"	3/8" - 19	7.0	27.0	6.0	17.0	22.0		
M20811-06-04H17KR	10	- 6	3/8"	1/4" - 19	4.0	26.0	5.2	17.0	19.0		
M20811-06-06H17KR	10	- 6	3/8"	3/8" - 19	7.0	27.5	6.0	17.0	22.0		
M20811-06-08H19KR	10	- 6	3/8"	1/2" - 14	9.3	29.5	6.5	19.0	27.0		
M20811-08-06H19KR	12	- 8	1/2"	3/8" - 19	7.0	29.5	6.0	19.0	22.0		
M20811-08-08H19KR	12	- 8	1/2"	1/2" - 14	9.3	30.0	5.5	19.0	22.0		

BS STANDARD CONNECTIONS

M20842/M20843



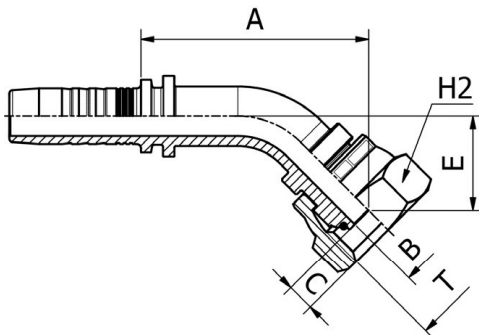
45° BSP O-RING FEMALE SWEPT ELBOW 60° CONE
BS5200 / ISO 12151-6

PART. REF.	HOSE BORE			Thread	T	DIMENSIONS mm				
	DN	Dash	inch			B	A	C	E	H2
M20842-10-10	16	- 10	5/8"	5/8" - 14		12.5	63.5	9.7	27.5	28.0
M20842-12-12	19	- 12	3/4"	3/4" - 14		15.0	71.0	8.5	29.0	32.0
M20842-16-12	25	- 16	1"	3/4" - 14		15.0	79.5	8.5	29.0	32.0
M20842-16-16	25	- 16	1"	1" - 11		19.8	90.5	10.6	35.5	38.0
M20842-16-20	25	- 16	1"	1.1/4" - 11		26.1	93.0	10.5	38.0	50.0
M20842-20-20	31	- 20	1.1/4"	1.1/4" - 11		26.0	101.5	10.5	39.0	50.0
M20842-20-24	31	- 20	1.1/4"	1.1/2" - 11		32.1	118.5	12.5	40.5	60.0
M20842-24-20	38	- 24	1.1/2"	1.1/4" - 11		26.0	106.0	10.5	42.0	50.0
M20842-24-24	38	- 24	1.1/2"	1.1/2" - 11		32.0	118.0	12.5	45.0	60.0
M20842-24-32	38	- 24	1.1/2"	2" - 11		42.1	117.5	16.1	44.5	70.0
M20842-32-32	51	- 32	2"	2" - 11		42.0	134.0	16.1	47.0	70.0
M20843-04-04	6	- 4	1/4"	1/4" - 19		4.0	36.0	5.4	14.5	19.0
M20843-06-06	10	- 6	3/8"	3/8" - 19		7.0	42.0	6.0	15.5	22.0
M20843-08-08	12	- 8	1/2"	1/2" - 14		9.3	49.5	6.3	17.0	27.0

123 FITTINGS

BS STANDARD CONNECTIONS

M20841KR



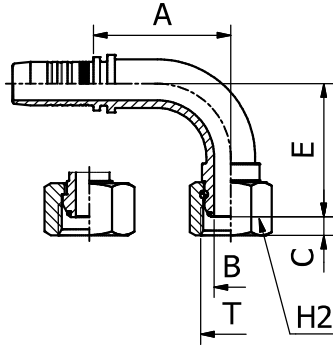
45° BSP O-RING FEMALE 60° CONE
BS5200 / ISO 12151-6

PART. REF.	HOSE BORE			Thread	T	DIMENSIONS mm				
	DN	Dash	inch			B	A	C	E	H2
M20841-04-04KR	6	- 4	1/4"	1/4" - 19		4.2	38.0	5.2	16.6	19.0
M20841-06-06KR	10	- 6	3/8"	3/8" - 19		7.0	45.5	6.0	16.5	22.0
M20841-08-08KR	12	- 8	1/2"	1/2" - 14		9.3	54.0	6.5	22.0	27.0

BS STANDARD CONNECTIONS

M20892/M20893

90° BSP O-RING FEMALE SWEPT ELBOW 60° CONE
BS5200 / ISO 12151-6



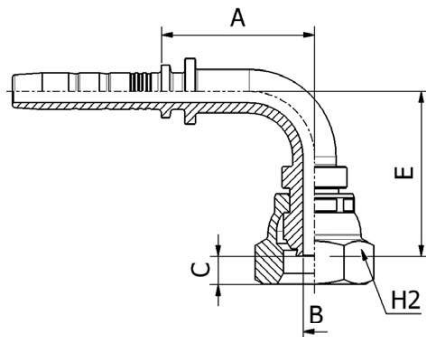
FITTINGS 124

PART. REF.	HOSE BORE			Thread		DIMENSIONS mm						
	DN	Dash	inch			T	B	A	C	E		
M20892-06-04	10	- 6	3/8"	1/4" - 19		4.1	35.5	4.1	33.0	19.0		
M20892-10-10	16	- 10	5/8"	5/8" - 14		12.5	53.0	9.7	55.0	28.0		
M20892-12-12	19	- 12	3/4"	3/4" - 14		15.0	61.5	8.5	60.0	32.0		
M20892-12-16	19	- 12	3/4"	1" - 11		19.8	61.5	10.6	62.0	38.0		
M20892-16-12	25	- 16	1"	3/4" - 14		15.0	79.5	8.5	60.0	32.0		
M20892-16-16	25	- 16	1"	1" - 11		19.8	79.5	10.6	76.0	38.0		
M20892-16-20	25	- 16	1"	1.1/4" - 11		26.1	79.5	10.5	78.5	50.0		
M20892-20-16	31	- 20	1.1/4"	1" - 11		19.8	79.5	10.6	76.0	38.0		
M20892-20-20	31	- 20	1.1/4"	1.1/4" - 11		26.0	90.5	10.5	83.5	50.0		
M20892-20-24	31	- 20	1.1/4"	1.1/2" - 11		32.1	90.5	12.5	84.5	60.0		
M20892-24-20	38	- 24	1.1/2"	1.1/4" - 11		26.0	95.0	10.5	90.5	50.0		
M20892-24-24	38	- 24	1.1/2"	1.1/2" - 11		32.0	108.0	12.5	98.5	60.0		
M20892-24-32	38	- 24	1.1/2"	2" - 11		42.1	108.0	16.1	98.0	70.0		
M20892-32-32	51	- 32	2"	2" - 11		42.0	131.0	16.1	110.5	70.0		
M20893-03-04	5	- 3	3/16"	1/4" - 19		4.0	29.0	5.4	29.0	19.0		
M20893-04-04	6	- 4	1/4"	1/4" - 19		4.0	29.5	5.4	29.0	19.0		
M20893-06-06	10	- 6	3/8"	3/8" - 19		7.0	36.5	6.0	31.5	22.0		
M20893-08-08	12	- 8	1/2"	1/2" - 14		9.3	45.0	6.3	36.5	27.0		

BS STANDARD CONNECTIONS

M20891KR

90° BSP O-RING FEMALE 60° CONE
BS5200 / ISO 12151-6

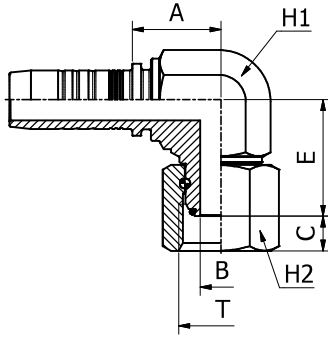


PART. REF.	HOSE BORE			Thread		DIMENSIONS mm						
	DN	Dash	inch			T	B	A	C	E		
M20891-04-04KR	6	- 4	1/4"	1/4" - 19		4.2	28.5	5.2	30.5	19.0		
M20891-04-06KR	6	- 4	1/4"	3/8" - 19		7.0	28.5	6.0	32.0	22.0		
M20891-06-04KR	10	- 6	3/8"	1/4" - 19		4.0	37.5	5.2	36.0	19.0		
M20891-06-06KR	10	- 6	3/8"	3/8" - 19		7.0	35.5	6.0	37.5	22.0		
M20891-06-08KR	10	- 6	3/8"	1/2" - 14		9.3	35.5	6.5	39.0	27.0		
M20891-08-06KR	12	- 8	1/2"	3/8" - 19		7.0	44.0	6.0	42.0	22.0		
M20891-08-08KR	12	- 8	1/2"	1/2" - 14		9.3	44.0	5.5	43.5	22.0		

BS STANDARD CONNECTIONS

M20882F

90° BSP O-RING FEMALE
COMPACT ELBOW 60° CONE
BS5200 / ISO 12151-6 (THRUST-WIRE NUT)



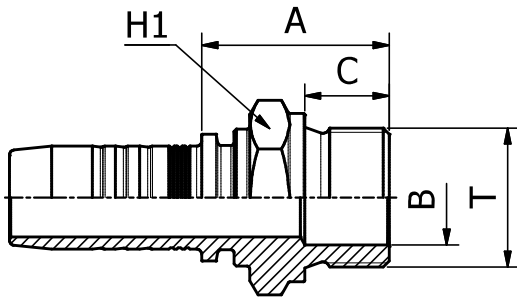
PART. REF.	HOSE BORE			Thread		DIMENSIONS mm					
	DN	Dash	inch			T	B	A	C	E	H1
M20882-04-04F	6	- 4	1/4"	1/4" - 19		4.0	20.0	4.1	22.0	14.0	19.0
M20882-06-06F	10	- 6	3/8"	3/8" - 19		7.0	23.0	6.0	27.5	19.0	22.0
M20882-08-08F	12	- 8	1/2"	1/2" - 14		9.3	25.0	6.5	31.0	22.0	27.0
M20882-10-10F	16	- 10	5/8"	5/8" - 14		12.5	24.5	9.7	32.5	24.0	28.0
M20882-12-12F	19	- 12	3/4"	3/4" - 14		15.0	37.5	8.5	36.0	27.0	32.0
M20882-16-16F	25	- 16	1"	1" - 11		20.0	52.0	10.6	44.0	36.0	38.0

125 FITTINGS

BS STANDARD CONNECTIONS

M10610

BSP MALE FLAT SEAT



PART. REF.	HOSE BORE			Thread		DIMENSIONS mm			
	DN	Dash	inch			T	B	A	C
M10610-04-04	6	- 4	1/4"	1/4" - 19		6.0	25.5	11.0	19.0
M10610-06-06	10	- 6	3/8"	3/8" - 19		9.5	28.0	12.0	22.0
M10610-06-08	10	- 6	3/8"	1/2" - 14		13.0	30.5	14.0	27.0
M10610-08-08	12	- 8	1/2"	1/2" - 14		13.0	31.0	14.0	27.0
M10610-10-08	16	- 10	5/8"	1/2" - 14		13.0	31.0	14.0	27.0
M10610-12-12	19	- 12	3/4"	3/4" - 14		18.0	35.5	16.0	32.0