

FERRULE

M01900

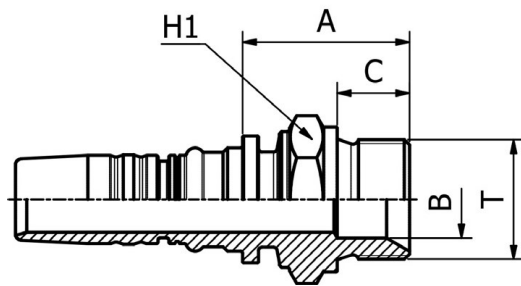
DOUBLE SKIVE FERRULE

PART. REF.	HOSE BORE			DIMENSIONS mm							
	DN	Dash	inch			D	L				
M01900-20	31	-20	1.1/4"			68	88,2				
M01900-40	63	-40	2.1/2"			109	135				

FITTINGS
177

BS STANDARD CONNECTIONS

M30510

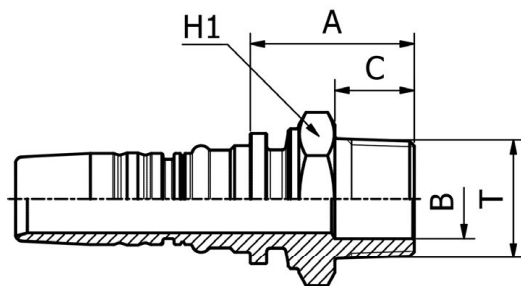


**BSP MALE
PARALLEL 60° CONE SEAT
BS5200 / ISO 8434-6**

PART. REF.	HOSE BORE			Thread	DIMENSIONS mm							
	DN	Dash	inch	T		B	A	C	H1			
M30510-12-12	19	- 12	3/4"	3/4" - 14		17.0	37.0	16.0	32.0			
M30510-12-16	19	- 12	3/4"	1" - 11		22.5	43.0	19.0	41.0			
M30510-16-16	25	- 16	1"	1" - 11		22.5	43.0	19.0	41.0			
M30510-16-20	25	- 16	1"	1.1/4" - 11		28.5	48.0	20.0	50.0			
M30510-20-20	31	- 20	1.1/4"	1.1/4" - 11		28.5	50.5	20.0	50.0			
M30510-24-24	38	- 24	1.1/2"	1.1/2" - 11		33.5	54.5	22.0	55.0			
M30510-32-32	51	- 32	2"	2" - 11		42.0	58.0	25.0	70.0			

BS STANDARD CONNECTIONS

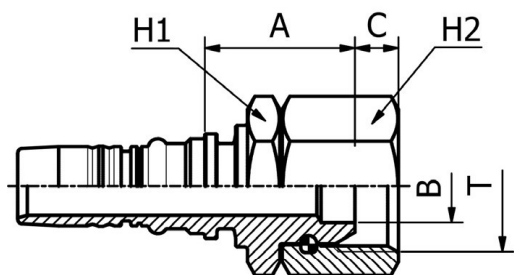
M30710



**BSP
MALE TAPERED]**

PART. REF.	HOSE BORE			Thread	DIMENSIONS mm							
	DN	Dash	inch	T		B	A	C	H1			
M30710-12-12	19	- 12	3/4"	3/4" BSPT		17.0	35.0	17.0	32.0			
M30710-16-16	25	- 16	1"	1" BSPT		22.5	41.5	21.0	41.0			
M30710-20-20	31	- 20	1.1/4"	1.1/4" BSPT		28.5	82.0	23.0	46.0			
M30710-24-24	38	- 24	1.1/2"	1.1/2" - 11		33.5	52.0	23.0	55.0			
M30710-32-32	51	- 32	2"	2" - 11		42.0	56.1	27.0	70.0			

BS STANDARD CONNECTIONS



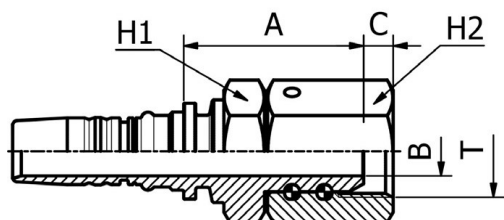
M40512

**BSP
FEMALE 60° CONE
BS5200 / ISO 12151-6
(THRUST-WIRE NUT)**

PART. REF.	HOSE BORE			Thread	DIMENSIONS mm						
	DN	Dash	inch		T	B	A	C	H1	H2	
M40512-10-12H32	16	- 10	5/8"	3/4" - 14	15.0	31.0	9.0	32.0	32.0		

FITTINGS 178

BS STANDARD CONNECTIONS

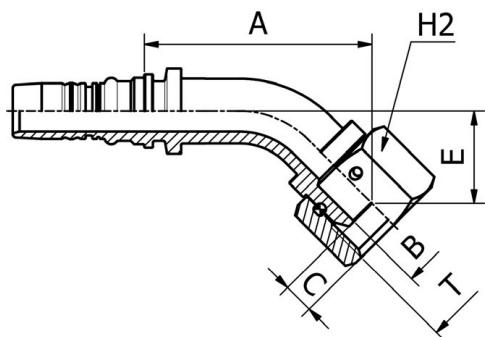


M40514

**BSP
FEMALE 60° CONE
BS5200 / ISO 12151-6
(DOUBLE THRUST-WIRE)**

PART. REF.	HOSE BORE			Thread	DIMENSIONS mm						
	DN	Dash	inch		T	B	A	C	H1	H2	
M40514-12-12	19	- 12	3/4"	3/4" - 14	14.5	53.0	8.7	36.0	36.0		
M40514-16-16	25	- 16	1"	1" - 11	18.0	58.0	11.1	41.0	41.0		
M40514-20-20	31	- 20	1.1/4"	1.1/4" - 11	23.0	75.0	10.1	50.0	55.0		
M40514-24-24	38	- 24	1.1/2"	1.1/2" - 11	27.0	76.0	12.5	55.0	60.0		

BS STANDARD CONNECTIONS



M40542

**45° BSP
FEMALE SWEPT ELBOW 60° CONE
BS5200 / ISO 12151-6
(THRUST-WIRE NUT)**

PART. REF.	HOSE BORE			Thread	DIMENSIONS mm					
	DN	Dash	inch		T	B	A	C	E	H2
M40542-10-12	16	- 10	5/8"	3/4" - 14	15.0	67.0	9.0	27.0	32.0	