



COILS 30 mm x Ø 13 mm

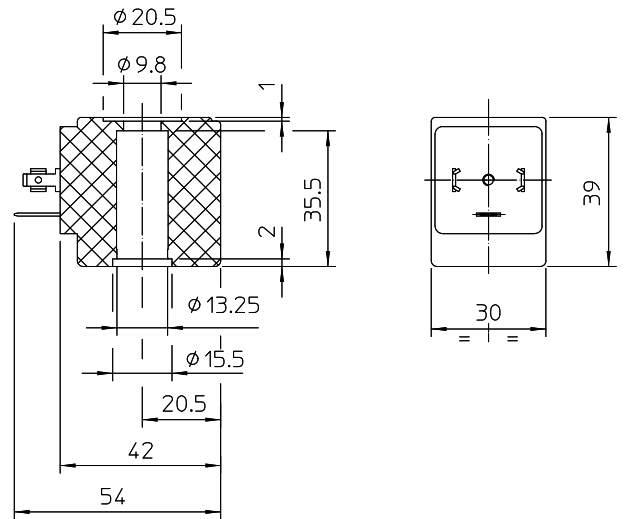
BDA08012AS
÷
BDV08224DU

COIL

BDA Molding material: PA - Black polyamide - class F (155°C)
BDF Molding material: PPS - Black polyphenylsulfide - class (180°C)
BDP Molding material: PA - Black polyarylamide - high temperature (160°C)
BDS Molding material: PA - Black polyamide with anti-humidity impregnation class F(155°C)
BDV Molding material: PET - Black polyethylene - class H (180°C)

Winding: In class H
Electrical connections: With connector EN 175301-803 paragraph 5.3.1
 Protection degree DIN 40050 = IP65

MOULDING AND BOBBIN ARE MADE BY 100% VIRGIN MATERIAL



MATERIAL ON STOCK:

Code	Power	Voltages	ED	Approvals
BDA08012AS	8 W	V 12/50Hz	100%	CE
BDA08012CS	8 W	V 12 DC	100%	CE
BDA08024CS	8 W	V 24 DC	100%	CE - (1)
BDA08024DS	8 W	V 24/50-60Hz	100%	CE
BDA08110CS	8 W	V 110 DC	100%	CE
BDA08110DS	8 W	V 110/50-60Hz	100%	CE
BDA08223DS	8 W	V 220-230/50-60Hz	100%	CE - (1)
BDA08380DS	8 W	V 380/50-60Hz	100%	CE
BDA16024ES	16 W	V 24/50Hz	50%(2)	CE
BDF08012CU	11 W	V 12 DC	100%	CE - UL - CSA
BDF08024BU	8 W	V 24/60Hz	100%	CE - UL
BDF08024CU	11 W	V 24 DC	100%	CE - UL - CSA

The "ODE" reserves the right to carry out technical and aesthetic modifications without prior notification.



Code	Power	Voltages	ED	Approvals
BDP08223DS	8 W	V 220-230/50-60Hz	100%	CE
BDS08223DS	8 W	V 220-230/50-60Hz	100%	CE
BDV08024CU	11 W	V 24 DC	100%	CE - UL
BDV08110AW	8 W	V 110/50Hz V 120/60Hz	100%	CE - UL - CSA
BDV08110BW	8 W	V 110/60Hz	100%	CE - UL - CSA
BDV08112DU	8 W	V 110-120/50-60Hz	100%	CE - UL
BDV08220BW	8 W	V 220/60Hz	100%	CE - UL - CSA
BDV08224DU	8 W	V 220-240/50-60Hz	100%	CE - UL

NOMINAL VOLTAGES DC + 10% -5%
TOLERANCES: AC + 10% -15%

- 1) Available also with **VDE** approval (I.e. code: BDA08024CV).
 (2) Standard cycle time 1 minute, for different requirements please contact our commercial offices.
 Other voltages and power absorptions available on demand and for quantities.



COILS 30 mm x Ø 13 mm with cable

BSA08223DS
÷
BVA08230AS

COIL

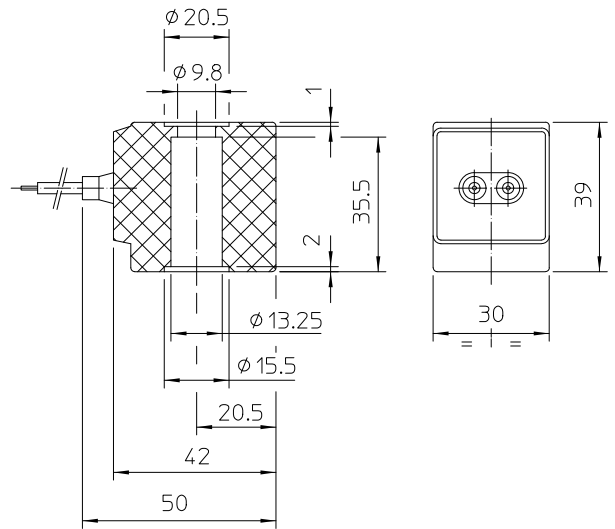
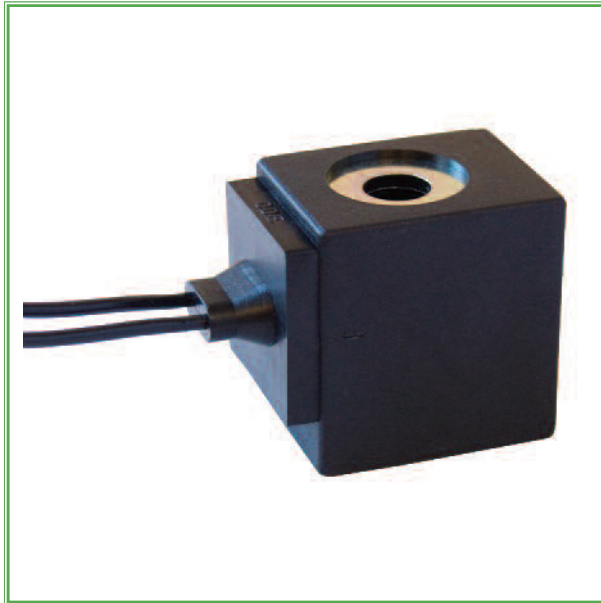
BSA with cm 100 cable
BVA with cm 50 cable

Molding material: PA - Black Polyamide - class F (155°C)

Winding: In class H

Electrical connections: Cables

MOULDING AND BOBBIN ARE MADE BY 100% VIRGIN MATERIAL.



MATERIAL ON STOCK:

Code	Power	Voltages	ED	Approvals
BSA08223DS	8 W	V 220-230/50-60Hz	100%	CE
BSA08230AS	8 W	V 230/50Hz	100%	CE
BVA08223DS	8 W	V 220-230/50-60Hz	100%	CE
BVA08230AS	8 W	V 230/50Hz	100%	CE

NOMINAL VOLTAGE DC + 10% - 5%
TOLERANCES: AC +10% - 15%

Other voltages and power absorptions available on demand and for quantities.

The "ODE" reserves the right to carry out technical and aesthetic modifications without prior notification.



LATCHING COILS 30 mm x Ø 13 mm

**BDA
LATCHING COILS**

COIL **BDA** Molding material: PA - Black polyamide - class F (155°C)

Winding: In class H

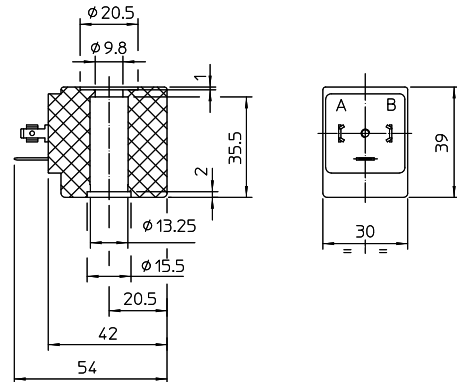
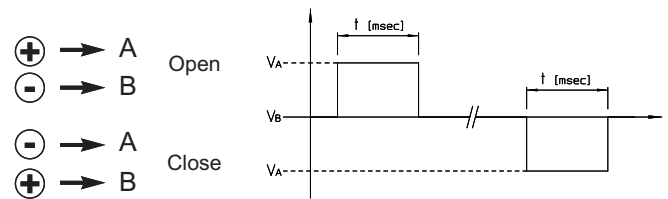
Electrical connections: With connector EN 175301-803 paragraph 5.3.1
Protection degree DIN 40050 = IP65

MOULDING AND BOBBIN ARE MADE BY 100% VIRGIN MATERIAL.

TECHNICAL OPERATING DATA:

- Impulse feed from 4,5 to 24 Volts for a period lasting from 20 to 100 ms.

NOTE: To ensure correct operation the fluid should be filtered to eliminate all traces of impurity subject to magnetic attraction, which would inevitably deposit on the cores of the solenoid valve, which are always magnetized, causing the formation of oxide as well as contact problem.



MATERIAL ON STOCK

Code	Power	Voltages
BDA1X004LS	1,5 W	V 4,5
BDA2X006LS	2,5 W	V 6
BDA05009LS	5 W	V 9
BDA1X006LS	1,5 W	V 6
BDA2X009LS	2,5 W	V 9
BDA05012LS	5 W	V 12
BDA1X009LS	1,5 W	V 9
BDA2X012LS	2,5 W	V 12
BDA10024LS	10 W	V 24
BDA1X012LS	1,5 W	V 12
BDA05024LS	5 W	V 24

**NOMINAL VOLTAGE
TOLERANCES::**

DC + 10% -5%

The "ODE" reserves the right to carry out technical and aesthetic modifications without prior notification.