



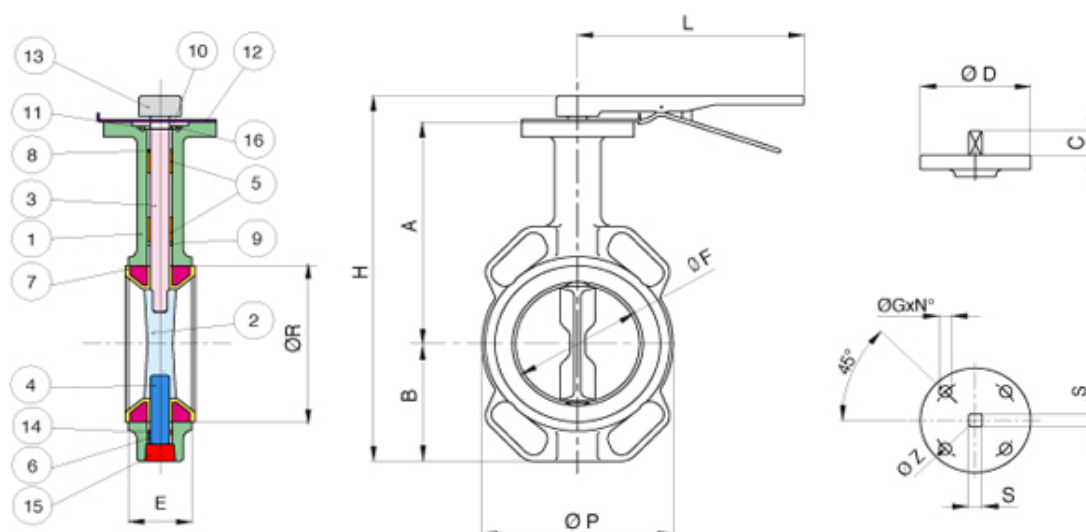
Serie **EUROFLY**

Articolo **600104**

DISC GGG40 (EN-GJ5400)

Butterfly valve WAFER type PN 16, body in cast iron GG25 + Epoxy painting, EPDM seat.

Limiti di temperatura: -10° +120° - Temperature range: -10° +120°



| POS. | PART NAME | MATERIALE-MATERIALS MATERIAUX-WERKSTOFF- MATERIAL | N°P |
|------|-----------|---|-----|
| 1 | BODY | EN-GJL 250 | 1 |
| 2 | DISC | EN-GJS 400 | 1 |
| 3 | STEM | SS416 | 1 |
| 4 | STEM | SS416 | 1 |
| 5 | STEM SEAT | P.T.F.E | 1 |
| 6 | STEM SEAT | P.T.F.E | 1 |
| 7 | SEAT | EPDM | 1 |
| 8 | O-RING | EPDM | 1 |
| 9 | O-RING | EPDM | 1 |
| 10 | WASHER | CARBON STEEL | 1 |
| 11 | CIRCLIP | SPRING STEEL | 1 |
| 12 | RETAINER | CARBON STEEL | 1 |
| 13 | LEVER | EN-GJL 250 | 1 |
| 14 | O-RING | EPDM | 1 |
| 15 | CAP | CARBON STEEL | 1 |
| 16 | SCREW | CARBON STEEL | 2 |

| MISURA/DN SIZE/DN | H | A | B | L | ØF | ØP | ØR | E | ØD | C | ØG | N° | ØZ | S | Kv | PN | Kg |
|----------------------|-------|-------|-------|-----|--------|-----|-------|-----|-----|------|------|----|-------|-----------|--------|-----------------------|--------|
| 32 | 190 | 112 | 58 | 162 | 35 | 85 | 56 | 33 | 90 | 22 | 7/10 | 4 | 50/70 | 11 | 51,0 | PN16 - ANSI 150 | 2,04 |
| 40 | 204 | 112 | 70 | 162 | 41 | 95 | 68 | 33 | 90 | 22 | 7/10 | 4 | 50/70 | 11 | 68,0 | PN16 - ANSI 150 | 2,30 |
| 50 | 236,1 | 142,7 | 71,4 | 267 | 52,25 | 100 | 73,3 | 43 | 90 | 22 | 7/10 | 4 | 50/70 | 11 | 99,0 | PN16 - ANSI 150 | 3,24 |
| 65 | 255,2 | 155,4 | 77,8 | 267 | 64,05 | 120 | 86 | 46 | 90 | 22 | 7/10 | 4 | 50/70 | 11 | 169,0 | PN16 - ANSI 150 | 3,88 |
| 80 | 272,8 | 161,8 | 89 | 267 | 78,65 | 127 | 100,9 | 46 | 90 | 22 | 7/10 | 4 | 50/70 | 11 | 260,0 | PN16 - ANSI 150 | 4,18 |
| 100 | 302 | 178 | 102 | 267 | 104,15 | 161 | 132 | 52 | 90 | 22 | 10 | 4 | 70 | 14 | 516,0 | PN16 - ANSI 150 | 5,36 |
| 125 | 335,5 | 190,5 | 123 | 267 | 123,35 | 190 | 156 | 56 | 90 | 22 | 10 | 4 | 70 | 14 | 879,0 | PN16 - ANSI 150 | 7,10 |
| 150 | 365,2 | 205,2 | 138 | 267 | 155,85 | 215 | 185,4 | 56 | 90 | 22 | 10 | 4 | 70 | 14 | 1358,0 | PN16 - ANSI 150 | 8,28 |
| 200 | 439,5 | 237 | 168 | 358 | 202,55 | 268 | 235,2 | 60 | 150 | 34,5 | 12 | 4 | 102 | 17 | 2697,0 | PN16 - ANSI 150 | 16,00 |
| 250** | 509,8 | 268,3 | 207 | 358 | 250,55 | 325 | 289,4 | 68 | 150 | 34,5 | 12 | 4 | 102 | 22 | 4592,0 | PN16 - ANSI 150 | 30,40 |
| 300* | 586,5 | 308,5 | 243,5 | 358 | 301,65 | 375 | 341,2 | 78 | 150 | 34,5 | 14 | 4 | 125 | 27 | 7095,0 | PN16 - ANSI 150 | 42,20 |
| 350* | - | 368 | 259 | - | 341,7 | 436 | - | 78 | 175 | 65 | 18 | 4 | 140 | Ø 28 | 10249 | 16 | 54,50 |
| 400* | - | 400 | 309 | - | 397,5 | 488 | - | 102 | 175 | 75 | 18 | 4 | 140 | Ø 38 | 14094 | 16 | 87,00 |
| 450* | - | 422 | 327 | - | 448,4 | 536 | - | 114 | 175 | 75 | 18 | 4 | 140 | Ø 37,9 | 18666 | 16 | 101,50 |
| 500* | - | 480 | 361 | - | 499 | 593 | - | 127 | 210 | 90 | 23 | 4 | 165 | Ø 45 | 24001 | 16 | 149,00 |
| 600* | - | 562 | 459 | - | 600,1 | 820 | - | 151 | 210 | 100 | 23 | 4 | 165 | Ø 55,6 | 37080 | 16 | 240,00 |

* Incluso riduttore di manovra manuale - Gear operator included

** Riduttore di manovra manuale a richiesta (art. 89008077) - Gear operator on request (art. 89008077)