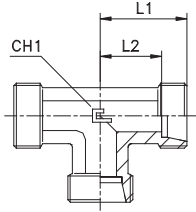
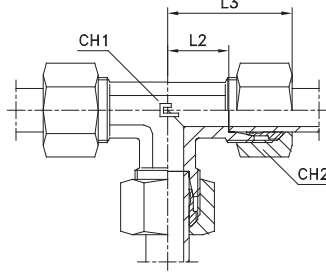


EQUAL TEE

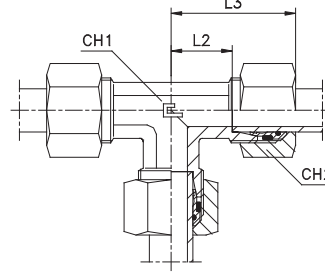
Type: 1039...1 Body



Type: 1039... B3 Ring



Type: 1039...4 B4 Ring

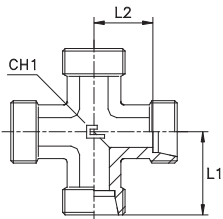


Series DIN	10.... bar	11.... bar	Ordering Body	Ordering Equipped B3	Ø Tube	L1	L2	L3	CH1	CH2	Ordering Equipped B4
LL	100	100	103901.1	103901	4	15	11	21	9	10	-
			103902.1	103902	6	15	9,5	21	9	12	-
			103903.1	103903	8	17	11,5	23	12	14	-
L	500	315	103904.1	103904	6	19	12	27	12	14	103904.4
			103905.1	103905	8	21	14	29	12	17	103905.4
			103906.1	103906	10	22	15	30	14	19	103906.4
			103907.1	103907	12	24	17	32	17	22	103907.4
			103908.1	103908	15	28	21	36	19	27	103908.4
	400	160	103909.1	103909	18	31	23,5	40	24	32	103909.4
			103910.1	103910	22	35	27,5	44	27	36	103910.4
			103911.1	103911	28	38	30,5	47	36	41	103911.4
			103912.1	103912	35	45	34,5	56	41	50	103912.4
			103913.1	103913	42	51	40	63	50	60	103913.4
S	800	630	103914.1	103914	6	23	16	31	12	17	103914.4
			103915.1	103915	8	24	17	32	14	19	103915.4
			103916.1	103916	10	25	17,5	34	17	22	103916.4
			103917.1	103917	12	29	21,5	38	17	24	103917.4
			103918.1	103918	14	30	22	40	19	27	103918.4
	630	400	103919.1	103919	16	33	24,5	43	24	30	103919.4
			103920.1	103920	20	37	26,5	48	27	36	103920.4
			103921.1	103921	25	42	30	54	36	46	103921.4
			103922.1	103922	30	49	35,5	62	41	50	103922.4
			103923.1	103923	38	57	41	72	50	60	103923.4

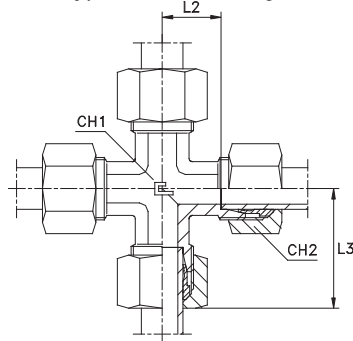
Note: If you wish to order AISI 316 stainless steel fittings, please change the first two digits from 10.... to 11....
 If you wish to order AISI 316 stainless steel fittings with AISI 304 stainless steel nuts, please change the first two digits from 10.... to 14....

EQUAL CROSS

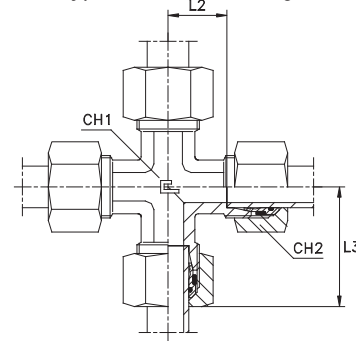
Type: 1040...1 Body



Type: 1040... B3 Ring



Type: 1040...4 B4 Ring



Series DIN	10.... bar	11.... bar	Ordering Body	Ordering Equipped B3	Ø Tube	L1	L2	L3	CH1	CH2	Ordering Equipped B4
LL	100	100	104001.1	104001	4	15	11	21	9	10	-
			104002.1	104002	6	15	9,5	21	9	12	-
			104003.1	104003	8	17	11,5	23	12	14	-
L	315	315	104004.1	104004	6	19	12	27	12	14	104004.4
			104005.1	104005	8	21	14	29	12	17	104005.4
			104006.1	104006	10	22	15	30	14	19	104006.4
			104007.1	104007	12	24	17	32	17	22	104007.4
			104008.1	104008	15	28	21	36	19	27	104008.4
	160	160	104009.1	104009	18	31	23,5	40	24	32	104009.4
			104010.1	104010	22	35	27,5	44	27	36	104010.4
			104011.1	104011	28	38	30,5	47	36	41	104011.4
			104012.1	104012	35	45	34,5	56	41	50	104012.4
			104013.1	104013	42	51	40	63	50	60	104013.4
S	630	630	104014.1	104014	6	23	16	31	12	17	104014.4
			104015.1	104015	8	24	17	32	14	19	104015.4
			104016.1	104016	10	25	17,5	34	17	22	104016.4
			104017.1	104017	12	29	21,5	38	17	24	104017.4
			104018.1	104018	14	30	22	40	19	27	104018.4
	400	400	104019.1	104019	16	33	24,5	43	24	30	104019.4
			104020.1	104020	20	37	26,5	48	27	36	104020.4
			104021.1	104021	25	42	30	54	36	46	104021.4
			104022.1	104022	30	49	35,5	62	41	50	104022.4
			104023.1	104023	38	57	41	72	50	60	104023.4

Note: If you wish to order AISI 316 stainless steel fittings, please change the first two digits from 10.... to 11....
 If you wish to order AISI 316 stainless steel fittings with AISI 304 stainless steel nuts, please change the first two digits from 10.... to 14....