

Suction cup BXF75P Polyurethane 60, G1/4" male with mesh filter, BXF75P.5Y.G79MR



- Special designed friction cup with multi bellows for oily metal sheets. Suitable for application where great level compensation is needed such as de-stacking sheets from magazines (press-line) and picking car body parts from racks.
- Very low vacuum level needed to fully compress the extra-long bellows causes the cup not to push away parts from position.
- The "BXF" design is suitable for flat as well as uneven/curved surfaces.
- Internal friction pattern on the lip can withstand high shear forces, typically 3–5 times more than corresponding conventional suction cups.
- Best choice if > 0.1g/m² press oil is used on the sheet but also a great choice for dry metal sheets.
- DURAFLEX® is a material that features the elasticity of rubber and wear resistance of polyurethane. The material has a fantastic elastic memory, even after hundreds of thousand cycles.

General

Curve radius	4.33 in
Movement, vertical max.	1.58 in
Application	Oily sheet metal
Material	Polyurethane (PU60)
Suction cup model	BXF
Suction cup shape	Bellows
Volume	6.41 in ³
Weight	3.44 oz


Fitting

Fitting size	1/4"
Fitting style	Male
Fitting type	G-thread
Fitting option	Filter mesh
Material	Al

Dimension

Height	2.70 in
Outer diameter	2.95 in
Outer diameter, actuated	3.03 in

Performance — lifting forces, Dry metal sheet

		
18 -inHg	25.9 lbf	16.4 lbf
27 -inHg	34.6 lbf	17.8 lbf

Performance — lifting forces, Oily metal sheet

		
18 -inHg	26.3 lbf	16 lbf
27 -inHg	34.4 lbf	17.1 lbf

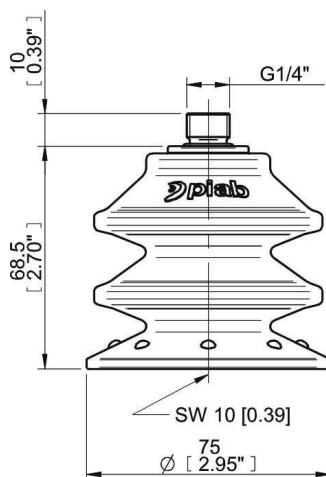
Material

	Polyurethane (PU60)
Color	Orange
Hardness	60 °Shore A
Temperature	50 – 122 °F

Material resistance

	Polyurethane (PU60)
Alcohol	N/A
Concentrated acids	+
Ethanol	+
Hydrolysis	+
Methanol	-
Oil	+++
Oxidation	-
Gasoline	+
Wear resistance	+++
Weather and ozone	+++

Dimensional drawings



Values specified in the data sheet are tested at:

Room temperature	(20°C [68°F] ± 3°C [5.5°F])
Standard atmosphere	(101.3 [29.9 inHg] ± 1.0 kPa [0.3 inHg])
Relative humidity	0-100%
Compressed air quality	DIN ISO 8573-1 class 4