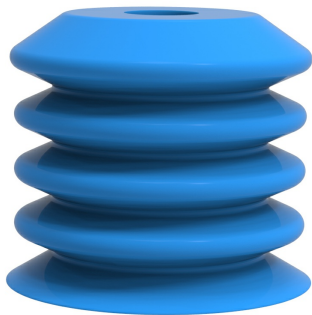


Suction cup B-BL60-2 Silicone, detectable, FCM, BBL60-2.DS40



- The silicone material complies with FDA 21 CFR 177.2600 and EU 1935/2004.
- Long lasting high-end silicone material
- A low percentage metal additive (Fe) is mixed with the rubber material to make it detectable.
- Suitable for bakeries for use with handling seeded product.
- Suitable for level adjustment.
- Available with male threaded food grade, detectable plastic fittings or acid proof stainless steel fittings. The fittings are separable.
- Additional fitting option – retainer clip for standard belts used for bread de-panner
- Easy to clean with hygienic design. No dust/dirt pockets.
- Low vacuum level needed to collapse bellows. Reduces risk for damaging the handled bakery product

General

Curve radius	0.74 in
Movement, vertical max.	1.69 in
Application	Food contact materials (FDA & EU), detectable
Material	Silicone (SIL detectable FCM)
Suction cup model	B-BL
Suction cup shape	Multibellows
Volume	5.01 in ³
Weight	0.80 oz

Fitting

Fitting size	None
Fitting style	None
Fitting type	None
Fitting option	None

Dimension

Height	2.07 in
Outer diameter	2.36 in
Outer diameter, actuated	2.36 in

Performance — lifting forces

		
3 -inHg	2.38 lbf	2.68 lbf
6 -inHg	5.33 lbf	4.81 lbf
12 -inHg	9.7 lbf	10.8 lbf

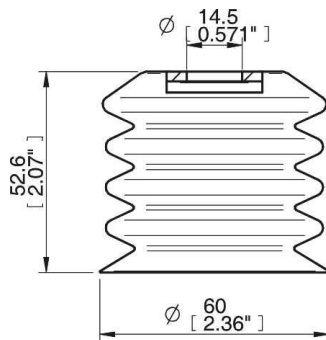
Material

	Silicone (SIL detectable FCM)
Color	Blue
Hardness	40 °Shore A
Temperature	-40 – 392 °F

Material resistance

	Silicone (SIL detectable FCM)
Alcohol	++
Concentrated acids	-
Ethanol	N/A
Hydrolysis	+
Methanol	N/A
Oil	-
Oxidation	+++
Gasoline	-
Wear resistance	++
Weather and ozone	+++

Dimensional drawings



Values specified in the data sheet are tested at:

Room temperature	(20°C [68°F] ± 3°C [5.5°F])
Standard atmosphere	(101.3 [29.9 inHg] ± 1.0 kPa [0.3 inHg])
Relative humidity	0-100%
Compressed air quality	DIN ISO 8573-1 class 4

Spare parts

	Part no.
Fitting 3/8" NPT Male, SS, B-BL	02.07.182
Fitting G1/2" Male, SS, B-BL	02.07.183
Fitting 1/2" NPT Male, SS, B-BL	02.07.184
Fitting G3/8" Male, composite, B-BL	02.07.190
Fitting 3/8" NPT Male, composite, B-BL	02.07.191
Fitting G1/2" Male, composite, B-BL	02.07.192
Fitting 1/2" NPT Male, composite, B-BL	02.07.193
Fitting G3/8" Male, SS, B-BL	02.07.181

Accessories

	Part no.
Retainer clip B-BL40-2, detectable	01.21.660
Fitting G3/8" Male, SS, B-BL	02.07.181