

Suction cup U20-2P Polyurethane 50, 1/8" Male, U20-2P.4D.02AI



- Long-life suction cup
- Suitable for several book binding applications
- Easy to handle different paper qualities due to the three different shore ratings
- DURAFLEX® are suction cups manufactured in a specially developed material that features the elasticity of rubber and wear resistance of polyurethane

General

Curve radius	0.35 in
Movement, vertical max.	0.20 in
Application	Bag opening/thin paper - slip sheets/film
Material	Al, Nitrile (NBR), Polyurethane (PU50)
Suction cup model	U-P
Suction cup shape	Universal
Volume	0.04 in ³
Weight	0.15 oz

Fitting

Fitting size	1/8"
Fitting style	Male
Fitting type	G-thread
Fitting option	None

Dimension

Height	0.90 in
Outer diameter	0.81 in

Performance — lifting forces

		
6 -inHg	0.67 lbf	0.34 lbf
18 -inHg	2.36 lbf	0.67 lbf
27 -inHg	3.15 lbf	1.35 lbf

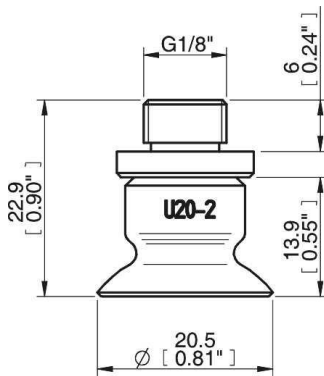
Material

	Polyurethane (PU50)
Color	Blue transparent
Hardness	50 °Shore A
Temperature	50 – 122 °F

Material resistance

	Polyurethane (PU50)
Alcohol	N/A
Concentrated acids	+
Ethanol	+
Hydrolysis	+
Methanol	-
Oil	+++
Oxidation	-
Gasoline	+
Wear resistance	+++
Weather and ozone	+++

Dimensional drawings



Values specified in the data sheet are tested at:

Room temperature	(20°C [68°F] ± 3°C [5.5°F])
Standard atmosphere	(101.3 [29.9 inHg] ± 1.0 kPa [0.3 inHg])
Relative humidity	0-100%
Compressed air quality	DIN ISO 8573-1 class 4