

Suction cup B20XP Polyurethane 30/60, 1/8" NPT male with mesh filter, B20XP.4K.02AC



- Suitable for limited level adjustment with good stability.
- Excellent gripping performance on corrugated and porous or surface leaking objects such as cardboard, textured plastic parts and composite material (raw surface)
- In the two-colored suction cup the bellows and the sealing lip are of different hardnesses, which makes the suction cup strong and stable for accelerations and speed, at the same time, soft and flexible.
- DURAFLEX® suction cups manufactured in a specially developed material that features the elasticity of rubber and wear resistance of polyurethane.
- The material DURAFLEX® is mark free.

General

Curve radius	0.22 in
Movement, vertical max.	0.18 in
Application	Plastic injection molded parts, Corrugated / cardboard
Material	Polyurethane (PU30), Polyurethane (PU60)
Suction cup model	B-XP
Suction cup shape	Bellows
Volume	0.06 in ³
Weight	0.04 oz

Fitting

Fitting size	1/8", M5
Fitting style	Male
Fitting type	NPT-thread
Fitting option	Filter mesh

Dimension

Height	0.90 in
Outer diameter	0.83 in

Performance — lifting forces

		
6 -inHg	1.75 lbf	0.79 lbf
18 -inHg	3.37 lbf	1.57 lbf
27 -inHg	4.5 lbf	2.25 lbf

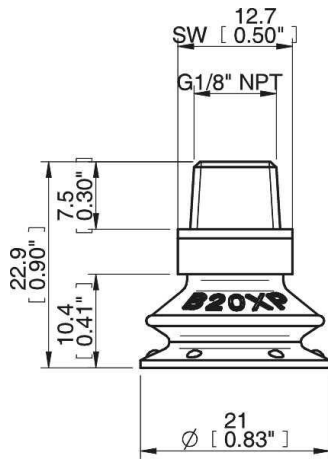
Material

	Polyurethane (PU30)	Polyurethane (PU60)
Color	Yellow	Green transparent
Hardness	30 °Shore A	60 °Shore A
Temperature	50 – 122 °F	50 – 122 °F

Material resistance

	Polyurethane (PU30)	Polyurethane (PU60)
Alcohol	N/A	N/A
Concentrated acids	+	+
Ethanol	+	+
Hydrolysis	+	+
Methanol	-	-
Oil	+++	+++
Oxidation	-	-
Gasoline	+	+
Wear resistance	+++	+++
Weather and ozone	+++	+++

Dimensional drawings



Values specified in the data sheet are tested at:

Room temperature	(20°C [68°F] ± 3°C [5.5°F])
Standard atmosphere	(101.3 [29.9 inHg] ± 1.0 kPa [0.3 inHg])
Relative humidity	0-100%
Compressed air quality	DIN ISO 8573-1 class 4

Spare parts

	Part no.
Fitting 1/8" NPT male, with mesh filter	02AC
Suction cup B20XP Polyurethane 30/60	B20XP.4K

Accessories

	Part no.
Fitting G1/8" male/M5 female, with mesh filter	02AF
Fitting 5xM5 female	02AE
Fitting G1/8" male, with mesh filter	02AB
Fitting M5 female	02AA