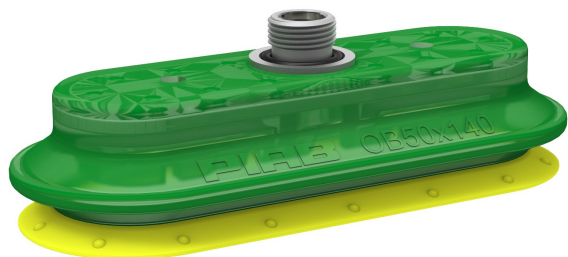


# Suction cup OB50x140P Polyurethane 30/60, thread insert G3/8" with mesh filter for Vacuum Gripper System (VGS)

, OB50X140P.5K.G40M



- Suitable for level adjustment. Can handle objects with height differences and varying shapes, for example embossed or corrugated plates.
- Lifting movement to separate small and thin objects.
- Dual hardness allowing strength and stability in conjunction with softness and flexibility.
- DURAFLEX® material features the elasticity of rubber in combination with the wear resistance of polyurethane.
- The DURAFLEX® material is mark-free.

## General

Curve radius	0.91 in
Movement, vertical max.	0.44 in
Application	Corrugated / cardboard
Material	Polyurethane (PU30), Polyurethane (PU60)
Suction cup model	OB
Suction cup shape	Oval Bellows
Volume	5.80 in <sup>3</sup>
Weight	4.55 oz

## Fitting

Fitting size	3/8"
Fitting style	Male
Fitting type	G-thread
Fitting option	Filter mesh

## Dimension

Height	1.75 in
Outer diameter	5.75 in
Width	2.32 in

## Performance — lifting forces

		
6 -inHg	13 lbf	24.7 lbf
18 -inHg	52.8 lbf	58.5 lbf
27 -inHg	82.3 lbf	78.5 lbf

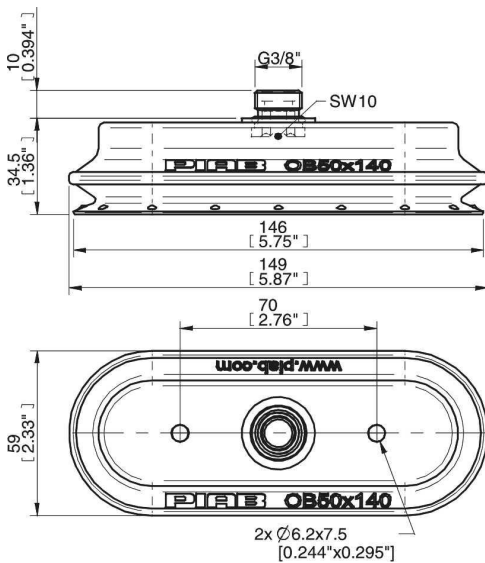
## Material

	Polyurethane (PU30)	Polyurethane (PU60)
Color	Yellow	Green transparent
Hardness	30 °Shore A	60 °Shore A
Temperature	50 – 122 °F	50 – 122 °F

## Material resistance

	Polyurethane (PU30)	Polyurethane (PU60)
Alcohol	N/A	N/A
Concentrated acids	+	+
Ethanol	+	+
Hydrolysis	+	+
Methanol	-	-
Oil	+++	+++
Oxidation	-	-
Gasoline	+	+
Wear resistance	+++	+++
Weather and ozone	+++	+++

## Dimensional drawings



## Values specified in the data sheet are tested at:

Room temperature	(20°C [68°F] ± 3°C [5.5°F])
Standard atmosphere	(101.3 [29.9 inHg] ± 1.0 kPa [0.3 inHg])
Relative humidity	0-100%
Compressed air quality	DIN ISO 8573-1 class 4

## Spare parts

	Part no.
Thread insert G3/8" male, with O-ring and mesh filter for Vacuum Gripper System (VGS)	01.07.148
Suction cup OB50x140P Polyurethane 30/60 with collar for Vacuum Gripper System (VGS)	OB50X140P.5K

## Accessories

	Part no.
Suction cup OB50x140P Polyurethane 60 with collar for Vacuum Gripper System (VGS)	OB50X140P.5E