

Suction cup FC20P Polyurethane 50, G1/8" male, with mesh filter, FC20P.4D.02AB



- Suitable for lifting small objects and narrow parts, also slightly domed, flat and oily surfaces, e.g., such as those encountered when handling steel sheets in press processes
- Thanks to the high friction of the rubber material, the suction cups can withstand high forces at rapid accelerations in horizontal directions, even on oily surfaces.
- The suction cups have cleats that prevent thin objects from being disfigured.
- DURAFLEX® material features the elasticity of rubber in combination with the wear resistance of polyurethane.
- The DURAFLEX® material is mark-free.

General

Curve radius	0.98 in
Movement, vertical max.	0.07 in
Application	Mark Free, Dry sheet metal
Material	Polyurethane (PU50)
Suction cup model	FC
Suction cup shape	Flat Concave
Volume	0.06 in ³
Weight	0.05 oz

Fitting

Fitting size	1/8"
Fitting style	Male
Fitting type	G-thread
Fitting option	Filter mesh

Dimension

Height	0.84 in
Outer diameter	0.86 in

Performance — lifting forces

		
6 -inHg	1.01 lbf	1.01 lbf
18 -inHg	2.7 lbf	2.02 lbf
27 -inHg	3.6 lbf	2.7 lbf

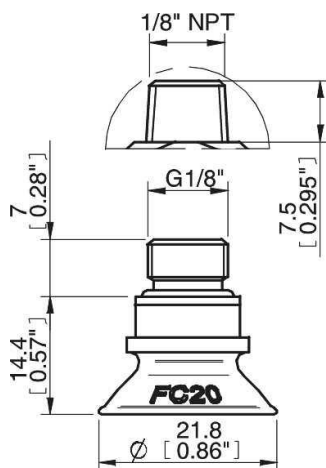
Material

	Polyurethane (PU50)
Color	Blue transparent
Hardness	50 °Shore A
Temperature	50 – 122 °F

Material resistance

	Polyurethane (PU50)
Alcohol	N/A
Concentrated acids	+
Ethanol	+
Hydrolysis	+
Methanol	-
Oil	+++
Oxidation	-
Gasoline	+
Wear resistance	+++
Weather and ozone	+++

Dimensional drawings



Values specified in the data sheet are tested at:

Room temperature	(20°C [68°F] ± 3°C [5.5°F])
Standard atmosphere	(101.3 [29.9 inHg] ± 1.0 kPa [0.3 inHg])
Relative humidity	0-100%
Compressed air quality	DIN ISO 8573-1 class 4

Spare parts

	Part no.
Suction cup FC20P Polyurethane 50	FC20P.4D
Fitting G1/8" male, with mesh filter	02AB

Accessories

	Part no.
Fitting M5 female, with dual flow control valve	02DA
Fitting M5 female	02AA
Fitting G1/8" male/M5 female, with mesh filter	02AF
Fitting G1/8" male/M5 female, with dual flow control valve	02DD
Fitting G1/8" male/M5 female	02AD
Fitting 5xM5 female, with dual flow control valve	02DE
Fitting 5xM5 female	02AE
Fitting 1/8" NPT male, with mesh filter	02AC
Fitting 1/8" NPT male, with dual flow control valve	02DC